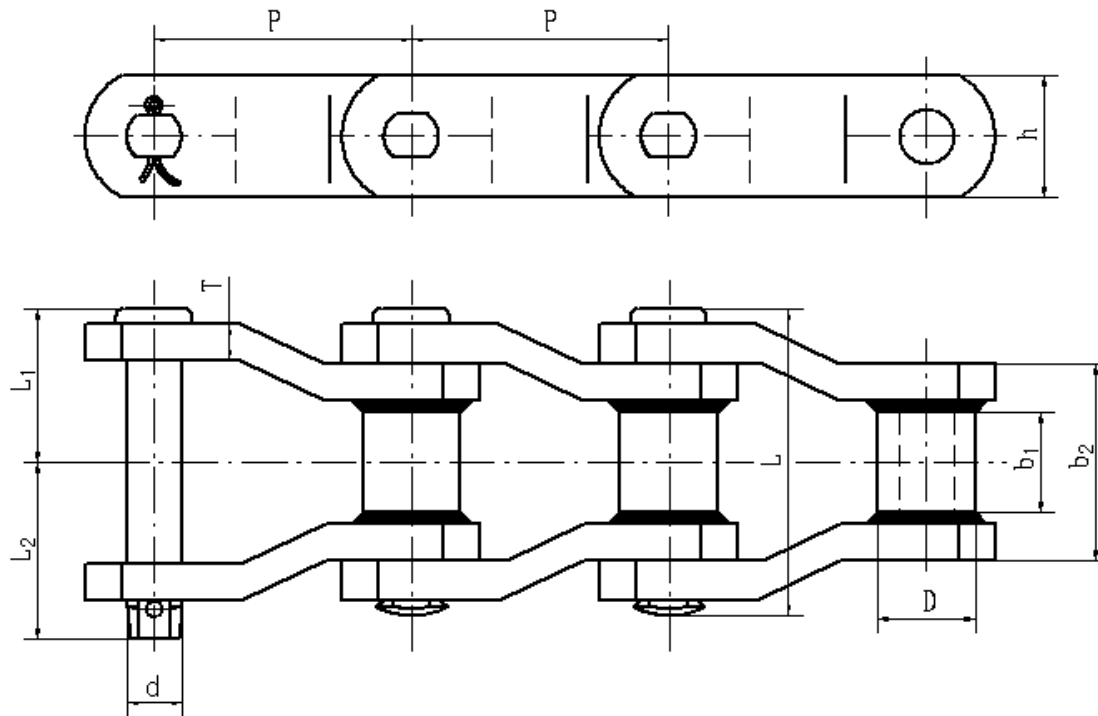


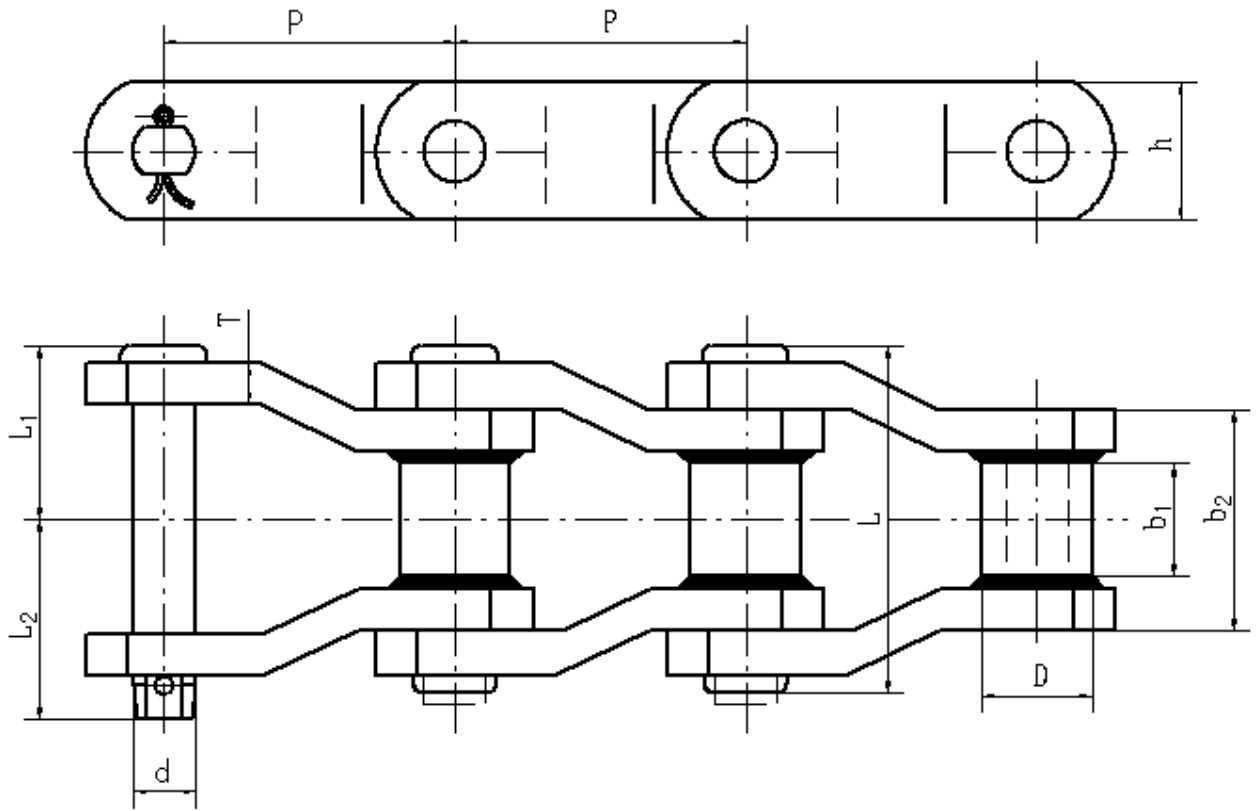
Narrow Series Welded Steel Chains



Chain No.	Pitch P mm	Narrow end		Bush diameter D(max) mm	Sidebars		Pin				Ultimate tensile strength Fu (min) kN	Rated working load kN	q kg/m
		b 1(min) mm	b 2(max) mm		h mm	T mm	d mm	L mm	L 1 mm	L 2 mm			
WR78	66.27	28.4	51	22.23	28.6	6.4	12.7	72.3	36.3	39.5	106.8	17.80	5.92
WH78	66.27	28.4	51	22.23	28.6	6.4	12.7	72.3	36.3	39.5	160	26.67	5.92
DWR78	66.27	28.4	50.8	21.4	31.8	6.4	12.7	72.3	36.3	39.5	106.8	17.80	6.44
DWH78	66.27	28.4	50.8	21.4	31.8	6.4	12.7	72.3	36.3	39.5	160	26.67	6.44
WH78-N 1	66.27	28.6	52.2	22.8	31.8	7	12.7	75	37.5	41	210	35.00	6.93
WS78	66.27	20	41.3	21.3	25.4	6.4	12.7	62.6	31.5	34.6	106	17.67	5.04
WSR78	66.27	20	41.3	21.3	25.4	6.4	12.7	62.6	31.5	34.6	66.7	11.11	5.16
AF78	66.27	28.4	50.8	27	31.8	6.4	12.7	72.3	36.3	39.5	106.8	17.80	6.98
WH78B	66.27	28.4	50.8	27	31.8	6.4	12.7	72.3	36.3	39.5	106.8	17.80	6.98
*WR78SS	66.27	28.4	50.6	21.4	31.8	6	12.7	71.5	35.7	39.3	80	13.33	6.19
WR82	78.1	31.8	57.4	25.4	31.8	6.4	14.27	79.5	40	43.5	133.4	22.23	6.85
WH82	78.1	31.8	57.4	27	31.8	6.4	14.27	79.5	40	43.5	177.8	29.63	7.14
WH82-N 1	78.1	31.8	57.1	25.4	31.8	6.4	14.27	79.5	40	43.5	177.8	29.63	6.85

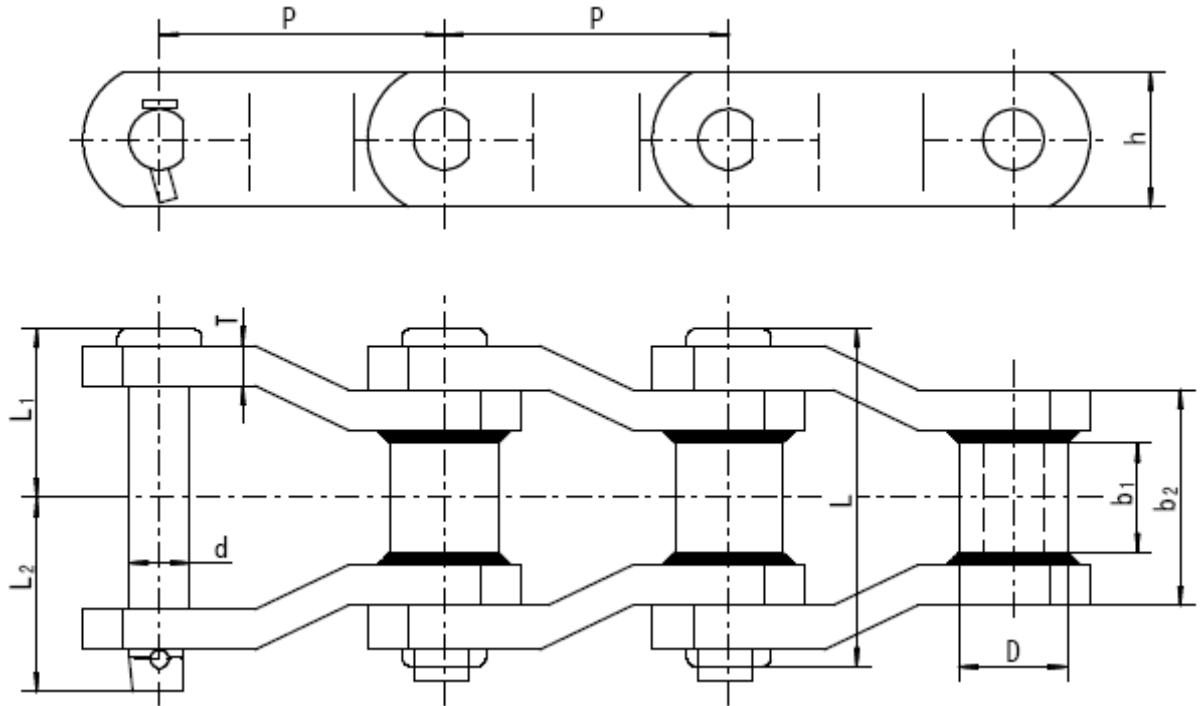
The materials for the component parts of the chain marked are all 2Cr13 (AISI 420)

Narrow Series Welded Steel Chains



Chain No.	Pitch P mm	Narrow End		Bush diameter D(max) mm	Sidebars		Pin			Ultimate tensile strength Fu min kN	Rated working load kN	Weight per meter q kg/m	
		b 1(min) mm	b 2(max) mm		h mm	T mm	d mm	L mm	L 1 mm				L 2 mm
WR106	152.4	41.2	71.6	31.75	38.1	9.5	19.05	102.5	52	56	176.7	29.45	9.6
WH106	152.4	41.2	71.6	31.75	38.1	9.5	19.05	102.5	52	56	266	44.33	9.6
WR111	120.9	50.8	85.7	31.75	44.5	9.5	19.05	116.2	59.35	63.25	169	28.17	13
WH111	120.9	50.8	85.7	31.75	44.5	9.5	19.05	116.2	59.35	63.25	224.6	37.43	13
WR124	101.6	41.2	71.5	31.75	38.1	9.5	19.05	102.5	52	56	204	34.00	11.52
WH124	101.6	41.2	71.5	31.75	38.1	9.5	19.05	102.5	52	56	266.7	44.45	11.52
WR132	153.67	76.2	111.6	44.5	50.8	12.7	25.4	152.7	77.3	81.7	275.8	45.97	21.03
WH132	153.67	76.2	111.6	44.5	50.8	12.7	25.4	152.7	77.3	81.7	378.1	63.02	21.03
WR150	153.67	76.2	111.6	44.5	63.5	12.7	25.4	152.7	77.3	81.7	450	75.00	24.86
WH150	153.67	76.2	111.6	44.5	63.5	12.7	25.4	152.7	77.3	81.7	600	100.0	24.86
WH720S	152.4	28.5	55	32	40	10	19.05	/	44.5	49.5	224	37.33	9.65
FWHX150	153.67	71	110	44.5	65	12	25	148.7	75	81	540	90	24.7

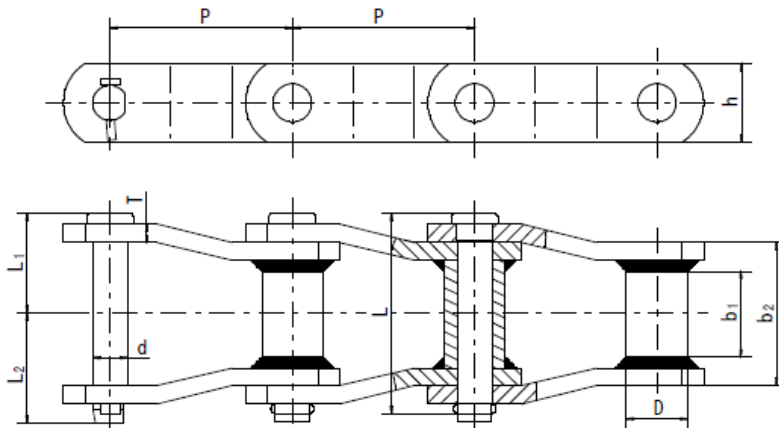
Narrow Series Welded Steel Chains



Chain No.	Pitch P mm	Narrow End		Bush diameter D(max) mm	Sidebars		Pin				Ultimate tensile strength Fu min kN	Rated working load kN	q kg/m
		b ₁ (min) mm	b ₂ (max) mm		h mm	T mm	d mm	L mm	L ₁ mm	L ₂ mm			
WHX106	152.4	41.2	71.11	36.53	38.1	9.5	19	105.6	51.8	56.2	225	37.5	9.70
WHX111	120.9	56.5	85.31	36.53	38.1	9.5	19	120.8	/	/	225	37.5	12.45
WHXA124	101.6	41.2	71.11	36.53	38.1	9.5	19	105.6	51.8	56.2	225	37.5	13.03
WHX124HD	103.2	38.1	77.21	41.28	50.8	12.7	22.25	113.2	56.6	65.7	356	59.33	20.68
WHX155WOIL	153.67	69.85	112.01	44.45	63.5	14.3	28.37	154.8	77.4	87.5	453	75.5	27.433
WHX157HS	153.67	69.85	118.11	44.45	63.5	15.9	28.52	163.3	81.4	92.6	520	86.67	28.91

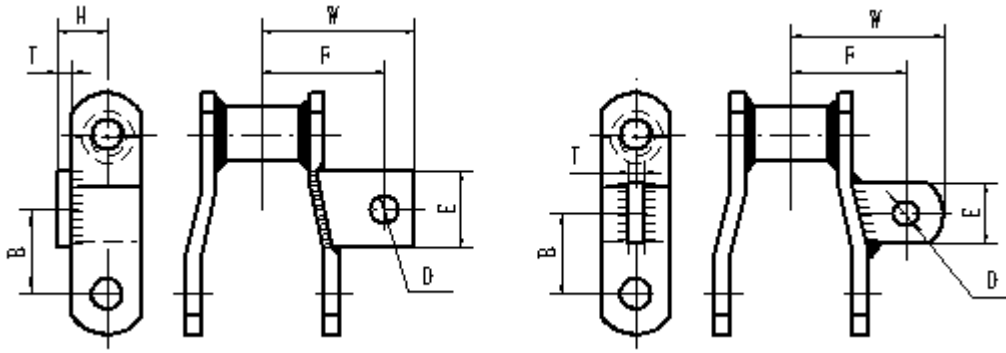
Narrow Series Welded Steel Chains

Chain No.	Pitch P mm	Narrow End		Bush diameter r	Sidebars		Pin				Ultimate tensile strength Fu (min) kN	Rated working load kN	weight per meter q kg/m
		b ₁ (min) mm	b ₂ (max) mm	D(max) mm	h mm	T mm	d mm	L mm	L ₁ mm	L ₂ mm			
WR78XHD	66.95	25.4	51.2	25.4	31.8	9.5	14.27	79.5	40.2	45.3	133	22.17	9.32
WH78XHD	66.95	25.4	51.2	25.4	31.8	9.5	14.27	79.5	40.2	45.3	160	26.67	9.32
WR82XHD	78.1	28.6	60.8	31.75	38.1	9.5	19.05	91.8	46.5	50.8	224	37.33	12.7
WH82XHD	78.1	28.6	60.8	31.75	38.1	9.5	19.05	91.8	46.5	50.8	253	42.17	12.7
WR124XHD	103.2	38.1	76.3	41.28	50.8	12.7	25.4	117.4	59.4	64.3	373.4	62.23	21.23
WH124XHD	103.2	38.1	76.3	41.28	50.8	12.7	25.4	117.4	59.4	64.3	542.3	90.38	21.23
WH132XHD	153.67	69.85	119.03	44.5	50.8	15.9	25.4	166.6	84	89.7	542	90.33	24.76



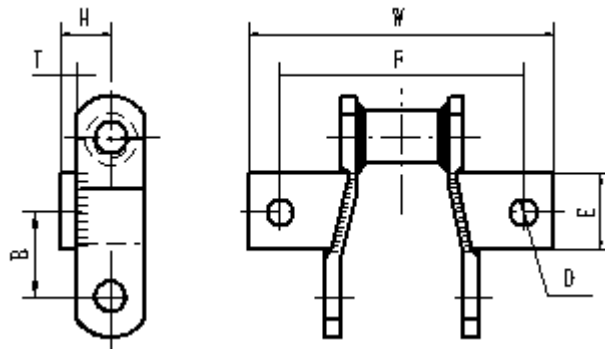
Chain No.	Pitch P mm	Narrow End		Bush diameter D(max) mm	Sidebars		Pin				Ultimate tensile strength Fu min kN	Rated working load kN	Weight per meter q kg/m
		b ₁ (min) mm	b ₂ (max) mm	h mm	T mm	d mm	L mm	L ₁ mm	L ₂ mm				
WHX124	101.6	41.2	71.11	36.53	38.1	9.5	19	105.6	51.88	56.12	225	37.50	12.45
WHX132	153.67	72.1	111.76	44.45	50.8	12.7	25.2	151.3	77.54	84.16	377.8	62.97	20.42
WHX150	153.67	72.1	111.76	44.45	63.5	12.7	25.2	151.3	77.54	84.16	400	66.67	24.48
WHX155	153.67	69.85	112.01	44.45	63.5	14.3	28.37	154.8	78.03	86.87	453	75.50	27.66
WHX157	153.67	69.85	118.11	44.45	63.5	15.9	28.52	163.3	82.1	91.9	520	86.67	29.23

Narrow Series Welded Steel Chains-Attachments



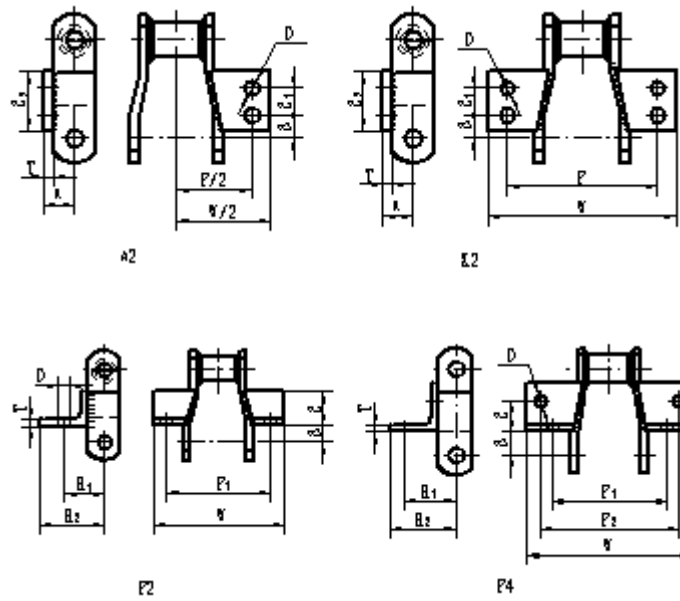
A1

A22



K1

Narrow Series Welded Steel Chains-Attachments



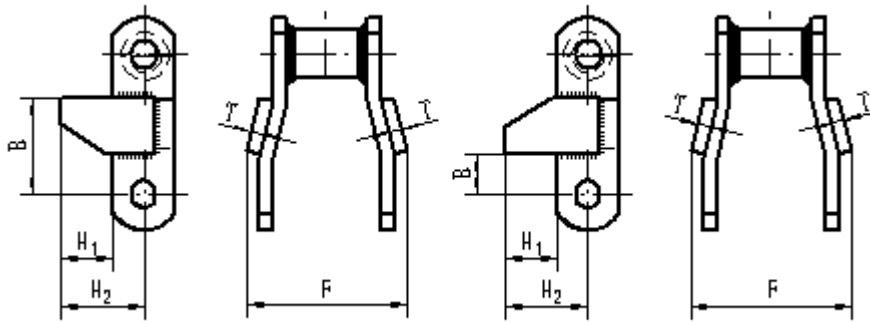
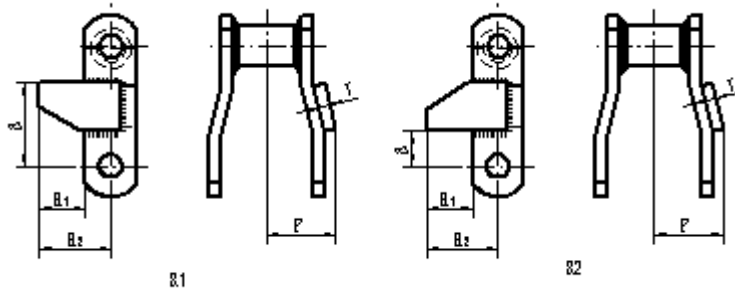
HENGJIU



HENGJIU

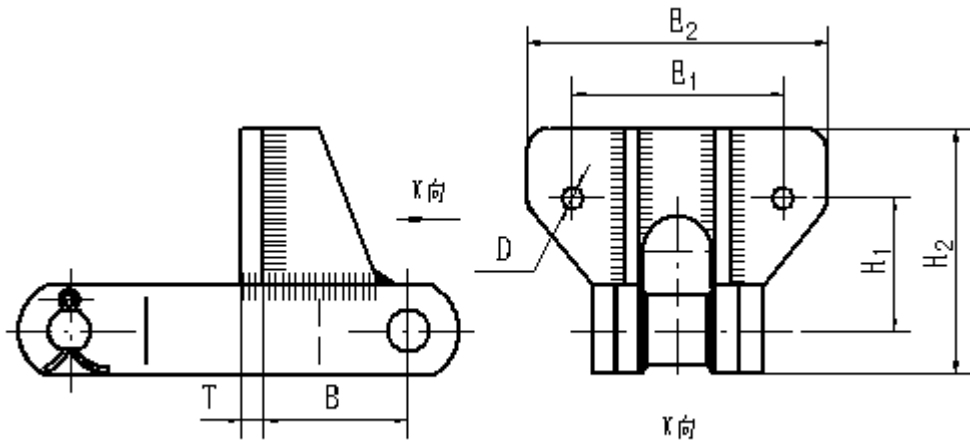
Transmit Safety & Reliability

Narrow Series Welded Steel Chains-Attachments

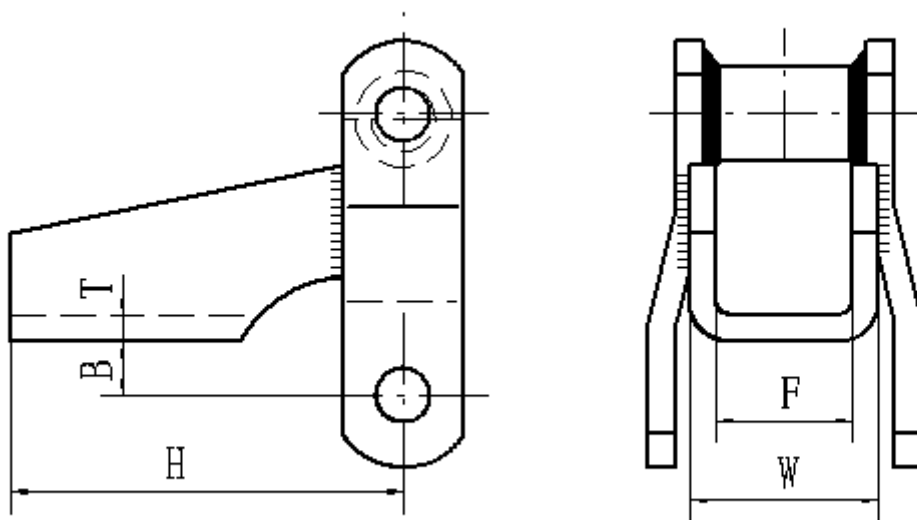


HENGJIU

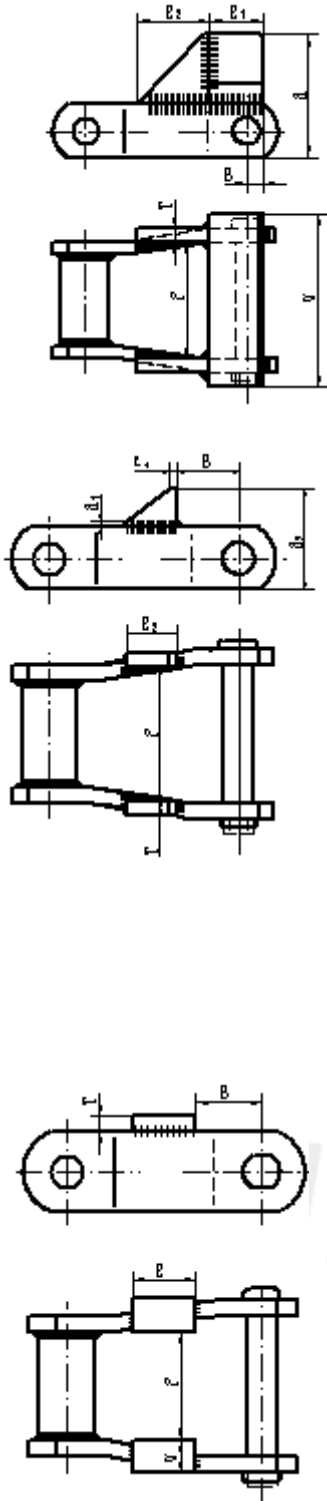
Narrow Series Welded Steel Chains-Attachments



Chain No.	B mm	F mm	H mm	T mm	W mm
H_1					

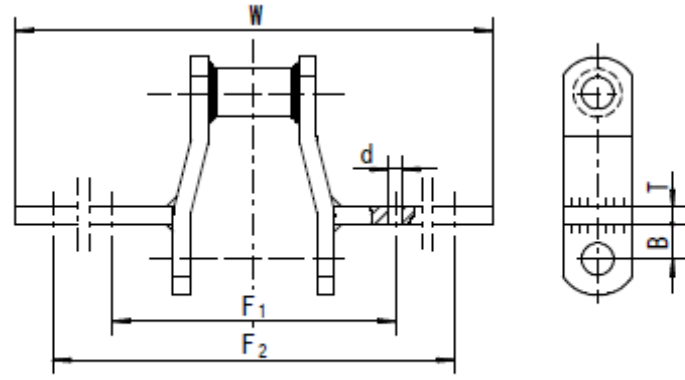


Narrow Series Welded Steel Chains-Attachments

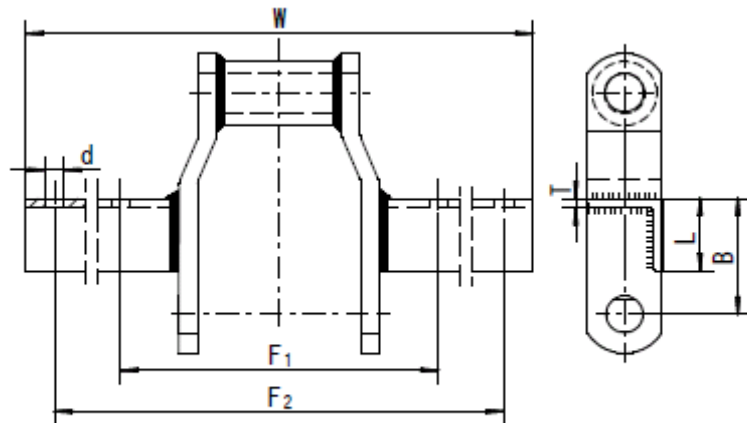


HENGJIU

Narrow Series Welded Steel Chains-Attachments



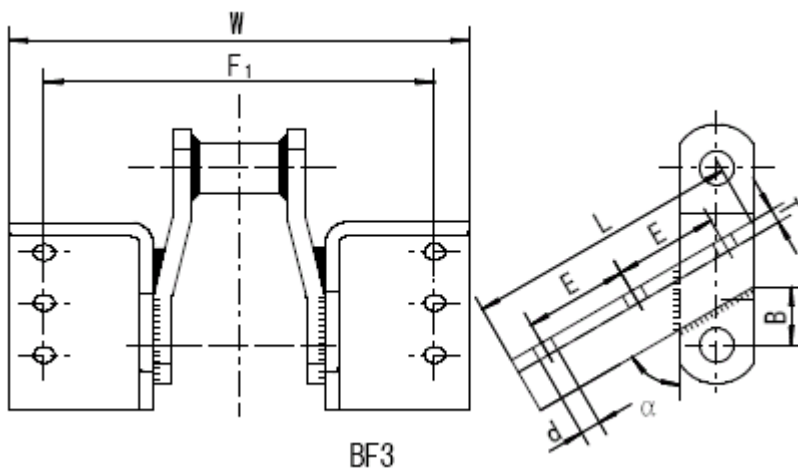
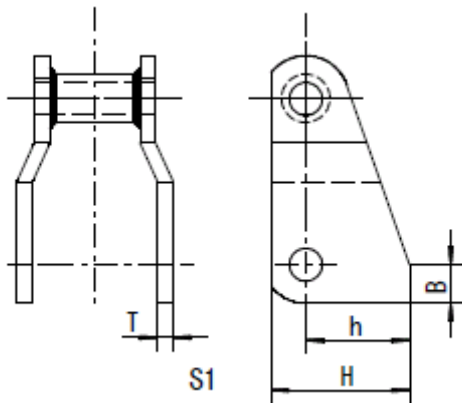
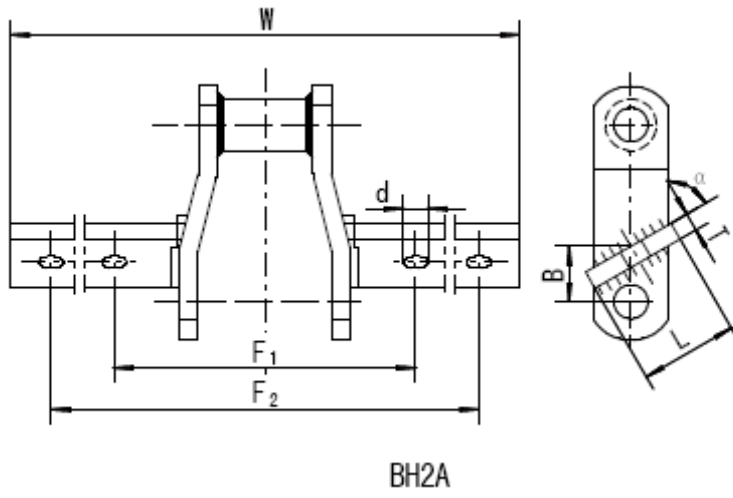
BH2



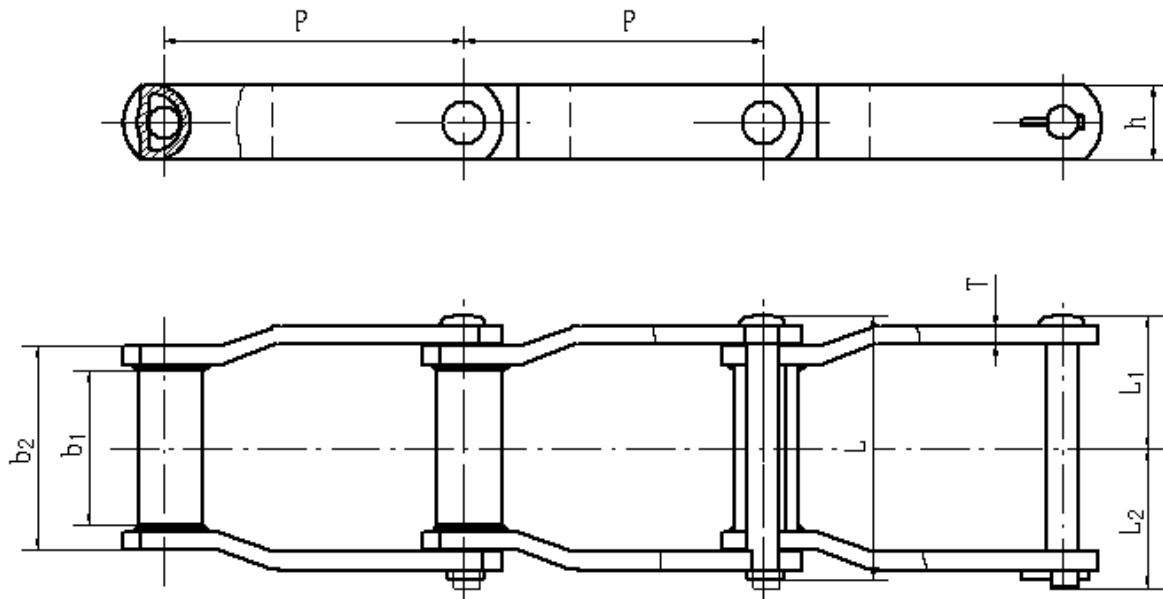
WING

HENGJIU

Narrow Series Welded Steel Chains-Attachments



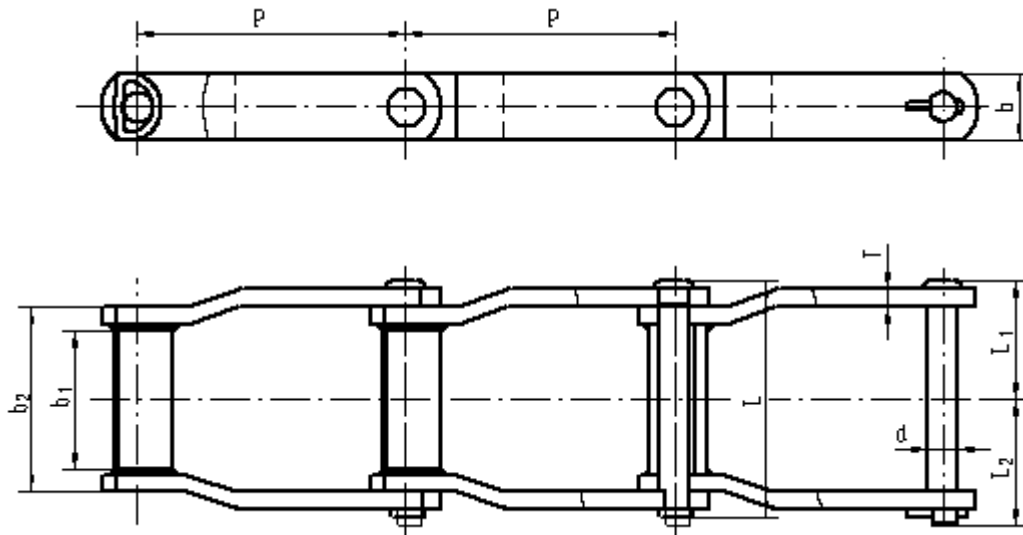
Wide Series Welded Steel Chains



Chain No.	P mm	b 1(min) mm	b 2(max) mm	h mm	T mm	d mm	L mm	L 1 mm	L 2 mm	Qmin kN	Rated workin g load	q kg/m
											kN	
WDH110	152.4	228.6	263.53	38.1	9.5	18.9	299.7	147.75	154.45	244.5	40.75	16.90
WDR110	152.4	228.6	263.53	38.1	9.5	18.9	299.7	147.75	154.45	169	28.17	16.90
WDH112	203.2	228.6	263.53	38.1	9.5	18.9	299.7	147.75	154.45	244.5	40.75	14.11
WDR112	203.2	228.6	263.53	38.1	9.5	18.9	299.7	147.75	154.45	169	28.17	14.11
WDH120	152.4	222.25	260.35	50.8	12.7	22.07	305	150.47	156.93	351.4	58.57	28.64
WDR120	152.4	222.25	260.35	50.8	12.7	22.07	305	150.47	156.93	311.4	51.90	28.64
WDH480	203.2	285.75	323.85	50.8	12.7	22.07	369	182.2	188.7	351.4	58.57	26.91
WDR480	203.2	285.75	323.85	50.8	12.7	22.07	369	182.2	188.7	311.4	51.90	26.91

Q_{min} Kn = Ultimate tensile strength

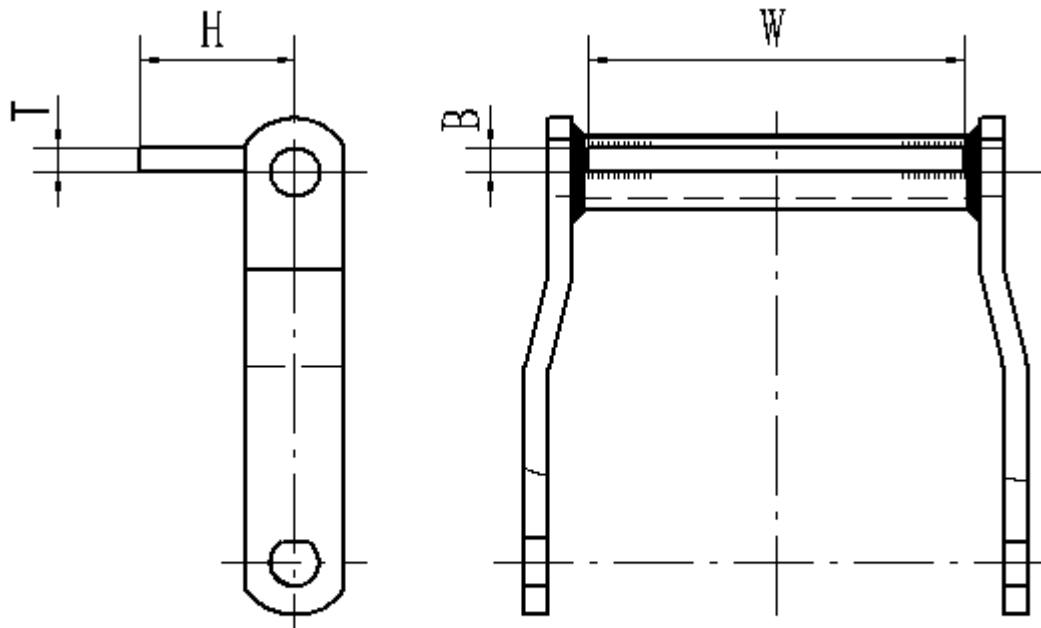
Wide Series Welded Steel Chains



Chain No.	P mm									Rated working load		q kg/m
		b 1(min) mm	b 2(max) mm	h mm	T mm	d mm	L mm	L 1 mm	L 2 mm	Q(min) kN	kN	
WDH2210	155.85	228.6	263.53	38.1	9.5	18.9	299.7	147.75	154.45	244.5	40.75	16.70
WDR2210	155.85	228.6	263.53	38.1	9.5	18.9	299.7	147.75	154.45	169	28.17	16.70
WDH2380	207.29	285.75	323.85	50.8	12.7	22.07	369	182.2	188.7	351.4	58.57	26.56
WDR2380	207.29	285.75	323.85	50.8	12.7	22.07	369	182.2	188.7	311.4	51.90	26.56

Q_{min} Kn = Ultimate tensile strength

Wide Series Welded Steel Chains-Attachments

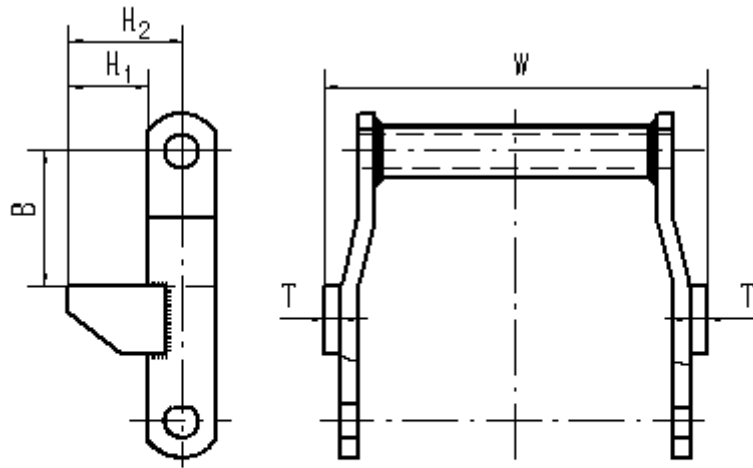


C1、C3、C4



HENGJIU

Wide Series Welded Steel Chains-Attachments

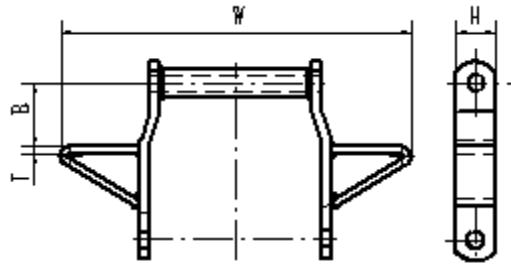


RR

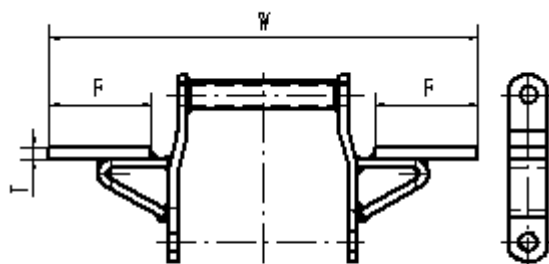


HENGJIU

Wide Series Welded Steel Chains-Attachments



WTNG



W24

