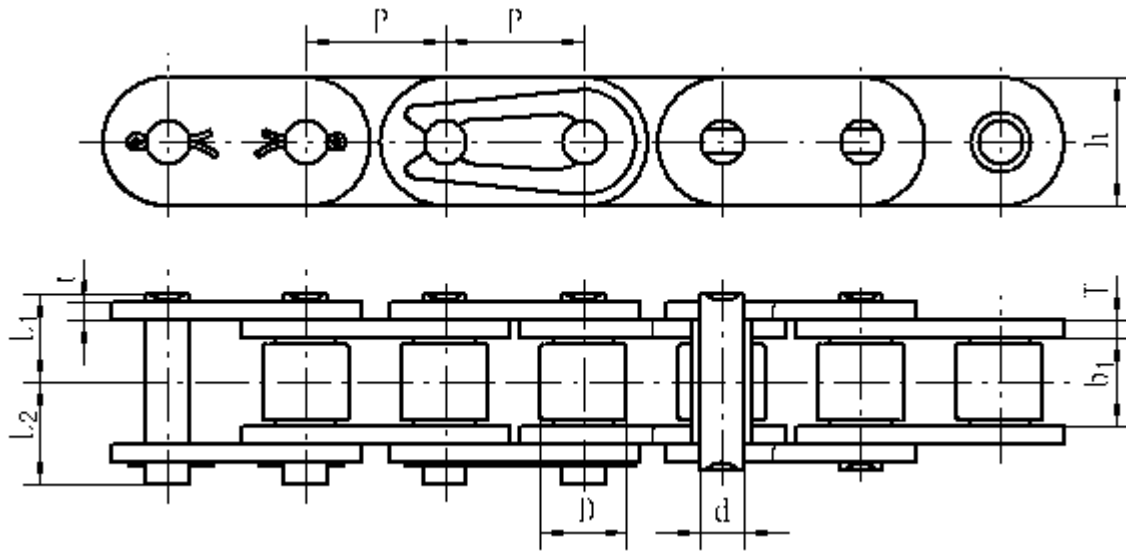


## A、 B Series Roller Chains with Straight Side Plates



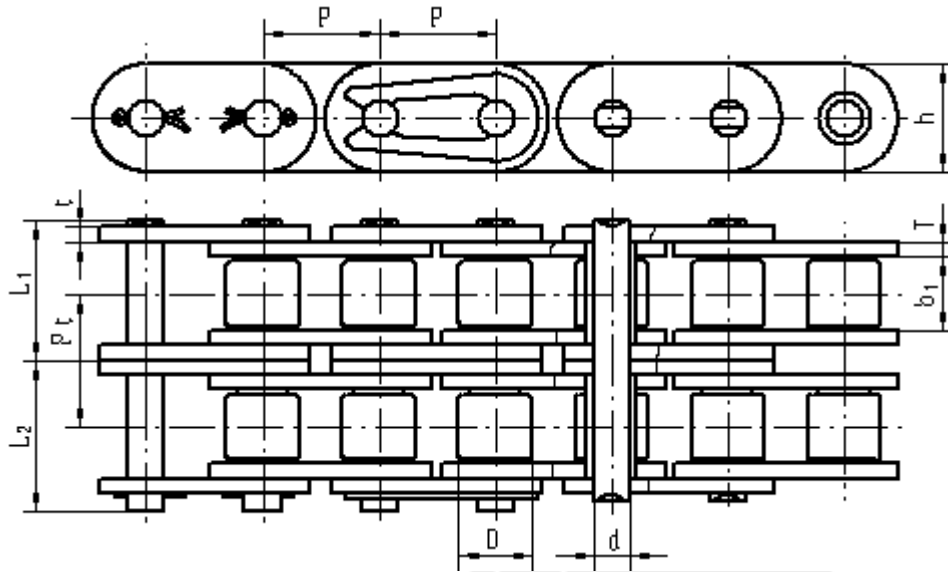
DIN/ISO Chain No.	Pitch P mm	b <sub>1</sub> (min) mm	D (max) mm						Pt mm	Q <sub>min</sub> kN	Q <sub>0</sub> kN
				d mm	L <sub>1</sub> mm	L <sub>2</sub> mm	h mm	t/T mm			
C40-1	12.7	7.85	7.92	3.96	8.3	9.6	12	1.52	13.8	18	0.75
C50-1	15.875	9.4	10.16	5.08	10.25	11.85	15	2	21.8	31	1.21
C60-1	19.05	12.57	11.91	5.94	12.65	14.35	18	2.4	31.1	42	1.77
C80-1	25.4	15.75	15.88	7.92	16.2	17.9	23.5	3.2	55.6	70.2	3.02
C100-1	31.75	18.9	19.05	9.52	19.8	23.3	30	4	86.7	115	4.56
C120-1	38.1	25.22	22.23	11.1	25	28.3	35.8	4.9	124.6	170	6.87
C140-1	44.45	25.22	25.4	12.7	26.9	30.9	41.5	5.6	169	213	8.68
C160-1	50.8	31.55	28.58	14.27	32.05	35.75	48	6.4	222.4	290	11.67
C06B-1	9.525	5.72	6.35	3.28	6.27	7.23	8.2	1.0/1.27	8.9	10.5	0.41
C08B-1	12.7	7.75	8.51	4.45	8.5	9.9	12.2	1.65	17.8	20.5	0.85
C10B-1	15.875	9.65	10.16	5.08	9.6	10.9	14.6	1.65	22.2	27.5	1.05
C12B-1	19.05	11.68	12.07	5.72	11	12.4	16	1.8	28.9	32.5	1.31
C16B-1	25.4	17.02	15.88	8.28	17.65	19.05	20.9	3.2/4	60	71	3.02
C20B-1	31.75	19.56	19.05	10.19	20.2	23.8	26	3.6/4.5	95	107	4.11
C24B-1	38.1	25.4	25.4	14.63	26.65	31.05	33	5/6	160	178	7.55
C28B-1	44.45	30.99	27.94	15.9	32.55	36.45	36.7	6.2/7.5	200	225	9.98
C32B-1	50.8	30.99	29.21	17.81	32.8	37.2	41.9	6.2/7	250	278	10.49

Q<sub>min</sub> kN = Ultimate tensile strength

Q<sub>0</sub> kN = Average tensile strength

Connecting Type: The series less than 16AZ、16BZ (including 16AZ、16BZ) is preferred for spring clip type;  
The series larger than 20AZ、20BZ (including 20AZ、20BZ) is preferred for cottered type.

## A、 B Series Roller Chains with Straight Side Plates



DIN/ISO Chain No.	Pitch P mm	b <sub>1</sub> (min) mm	D (max) mm						Pt mm	Q <sub>min</sub> kN	Q <sub>0</sub> kN	q kg/m
				d mm	L <sub>1</sub> mm	L <sub>2</sub> mm	h mm	t/T mm				
C40-2	12.7	7.85	7.92	3.96	15.5	16.7	12	1.52	14.38	27.6	34.5	1.49
C50-2	15.875	9.4	10.16	5.08	19.3	20.7	15	2	18.11	43.6	59.5	2.4
C60-2	19.05	12.57	11.91	5.94	24.05	25.95	18	2.4	22.78	62.3	80.6	3.51
C80-2	25.4	15.75	15.88	7.92	30.75	33.15	23.5	3.2	29.29	111.2	134.8	6.0
C100-2	31.75	18.9	19.05	9.52	37.7	41.1	30	4	35.76	173.5	224.3	9.06
C120-2	38.1	25.22	22.23	11.1	47.75	51.05	35.8	4.9	45.44	249.1	326.4	13.65
C140-2	44.45	25.22	25.4	12.7	51.35	55.35	41.5	5.6	48.87	338.1	409	17.25
C160-2	50.8	31.55	28.58	14.27	61.35	65.05	48	6.4	58.55	444.8	556.8	23.2
C06B-2	9.525	5.72	6.35	3.28	11.4	12.4	8.2	1.0/1.27	10.24	16.9	18.9	0.81
C08B-2	12.7	7.75	8.51	4.45	15.5	16.9	12.2	1.65	13.92	31.1	37	1.68
C10B-2	15.875	9.65	10.16	5.08	17.9	19.3	14.6	1.65	16.59	44.5	53.8	2.08
C12B-2	19.05	11.68	12.07	5.72	20.75	22.15	16	1.8	19.46	57.8	65.3	2.59
C16B-2	25.4	17.02	15.88	8.28	33.6	35	20.9	3.2/4	31.88	106	128.3	5.97
C20B-2	31.75	19.56	19.05	10.19	38.45	42.05	26	3.6/4.5	36.45	170	210	8.16
C24B-2	38.1	25.4	25.4	14.63	50.85	55.25	33	5/6	48.36	280	313.6	14.94
C28B-2	44.45	30.99	27.94	15.9	62.35	66.15	36.7	6.2/7.5	59.56	360	403.2	19.77
C32B-2	50.8	30.99	29.21	17.81	62.05	66.45	41.9	6.2/7	58.55	450	504	20.7

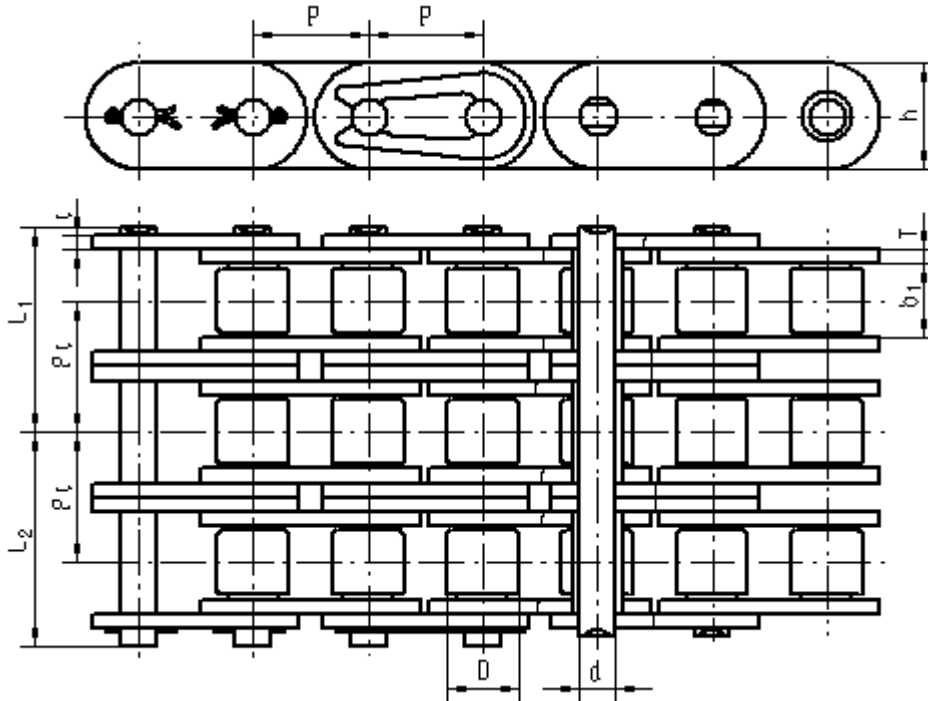
Q<sub>min</sub> kN = Ultimate tensile strength

Q<sub>0</sub> kN = Average tensile strength

Connecting Type: The series less than 16AZ、16BZ (including 16AZ、16BZ) is preferred for spring clip type;

The series larger than 20AZ、20BZ (including 20AZ、20BZ) is preferred for cottered type.

## A、 B Series Roller Chains with Straight Side Plates



DIN/ISO Chain No.	Pitch P mm	b <sub>1</sub> (min) mm	D (max) mm						Pt mm	Q <sub>min</sub> kN	Q <sub>0</sub> kN	q kg/m
				d mm	L <sub>1</sub> mm	L <sub>2</sub> mm	h mm	t/T mm				
C40-3	12.7	7.85	7.92	3.96	22.75	23.95	12	1.52	14.38	41.4	51.3	2.23
C50-3	15.875	9.4	10.16	5.08	28.25	29.55	15	2	18.11	65.4	88.4	3.59
C60-3	19.05	12.57	11.91	5.94	35.45	37.35	18	2.4	22.78	93.4	119.7	5.25
C80-3	25.4	15.75	15.88	7.92	45.46	47.44	23.5	3.2	29.29	166.8	200.1	8.98
C100-3	31.75	18.9	19.05	9.52	55.6	59.3	30	4	35.76	260.2	327.8	13.56
C120-3	38.1	25.22	22.23	11.1	70.45	74.05	35.8	4.9	45.44	373.7	484.5	20.43
C140-3	44.45	25.22	25.4	12.7	75.8	80.1	41.5	5.6	48.87	507.1	607.1	25.82
C160-3	50.8	31.55	28.58	14.27	90.6	94.4	48	6.4	58.55	667.2	826.5	34.73
C06B-3	9.525	5.72	6.35	3.28	16.5	17.5	8.2	1.0/1.27	10.24	24.9	30.1	1.21
C08B-3	12.7	7.75	8.51	4.45	22.45	23.85	12.2	1.65	13.92	46.65	56	2.51
C10B-3	15.875	9.65	10.16	5.08	26.2	27.6	14.6	1.65	16.59	66.7	83.4	3.11
C12B-3	19.05	11.68	12.07	5.72	30.5	31.9	16	1.8	19.46	86.7	99.7	3.87
C16B-3	25.4	17.02	15.88	8.28	49.55	50.95	20.9	3.2/4	31.88	160	200	8.92
C20B-3	31.75	19.56	19.05	10.19	56.65	60.25	26	3.6/4.5	36.45	250	287.5	12.21
C24B-3	38.1	25.4	25.4	14.63	75.05	79.45	33	5/6	48.36	425	488.8	22.33
C28B-3	44.45	30.99	27.94	15.9	92.15	96.05	36.7	6.2/7.5	59.56	520	592.8	29.56
C32B-3	50.8	30.99	29.21	17.81	91.35	95.75	41.9	6.2/7	58.55	507	578.1	30.91

Q<sub>min</sub> kN = Ultimate tensile strength

Q<sub>0</sub> kN = Average tensile strength

Connecting Type: The series less than 16AZ、16BZ (including 16AZ、16BZ) is preferred for spring clip type;  
The series larger than 20AZ、20BZ (including 20AZ、20BZ) is preferred for cottered type.