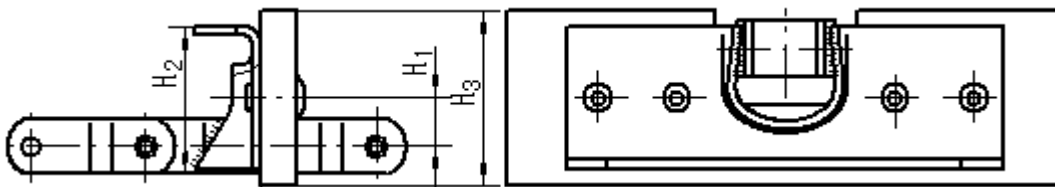
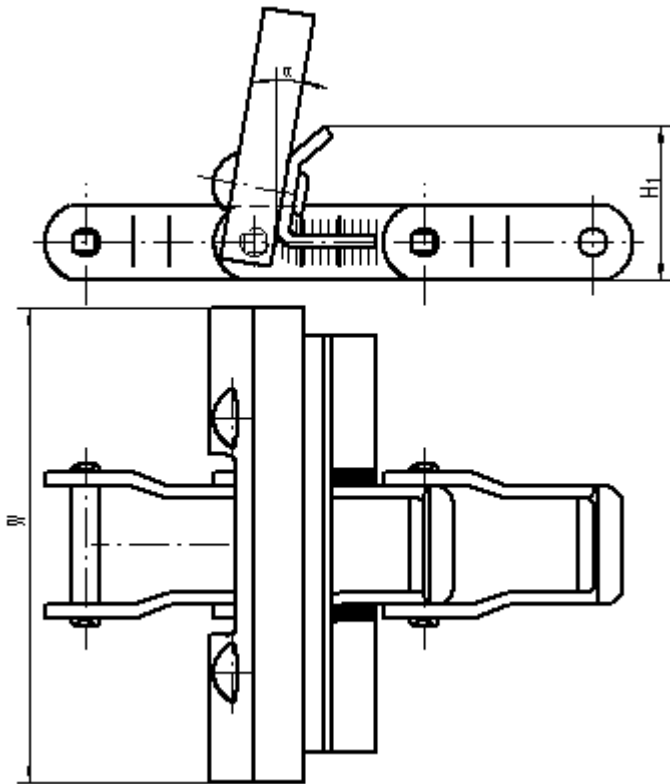




**HENGJIU**

Transmit Safety & Reliability

## Steel Pintle Chains-Attachments

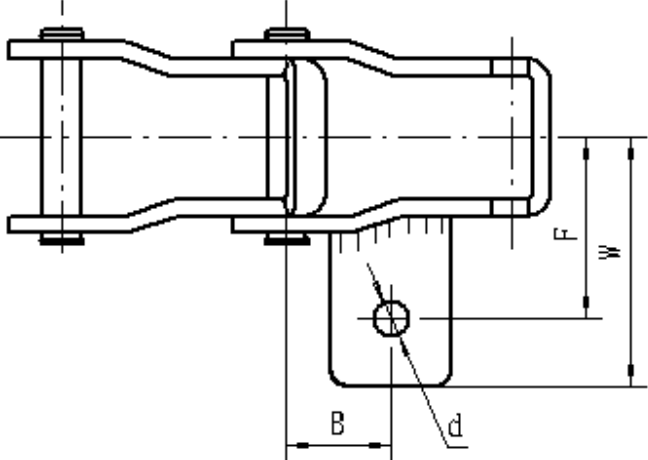
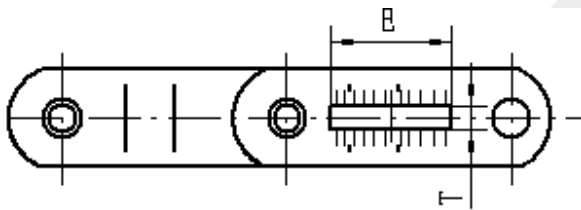
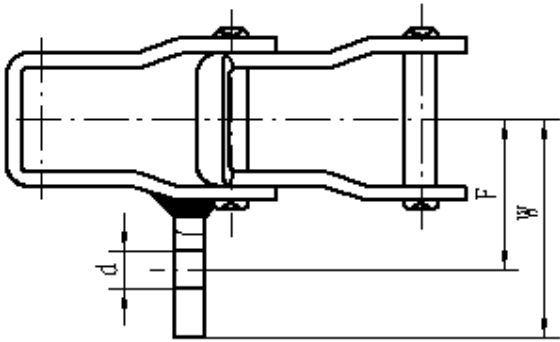
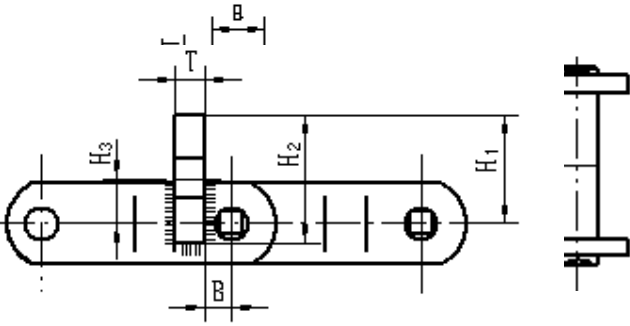
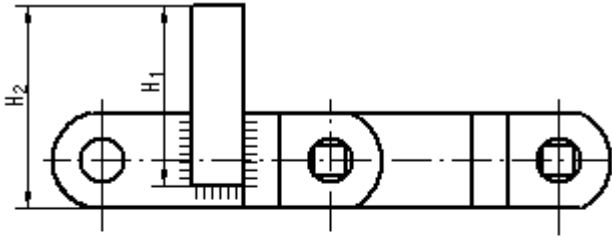




**HENGJIU**

Transmit Safety & Reliability

## Steel Pintle Chains- Attachments



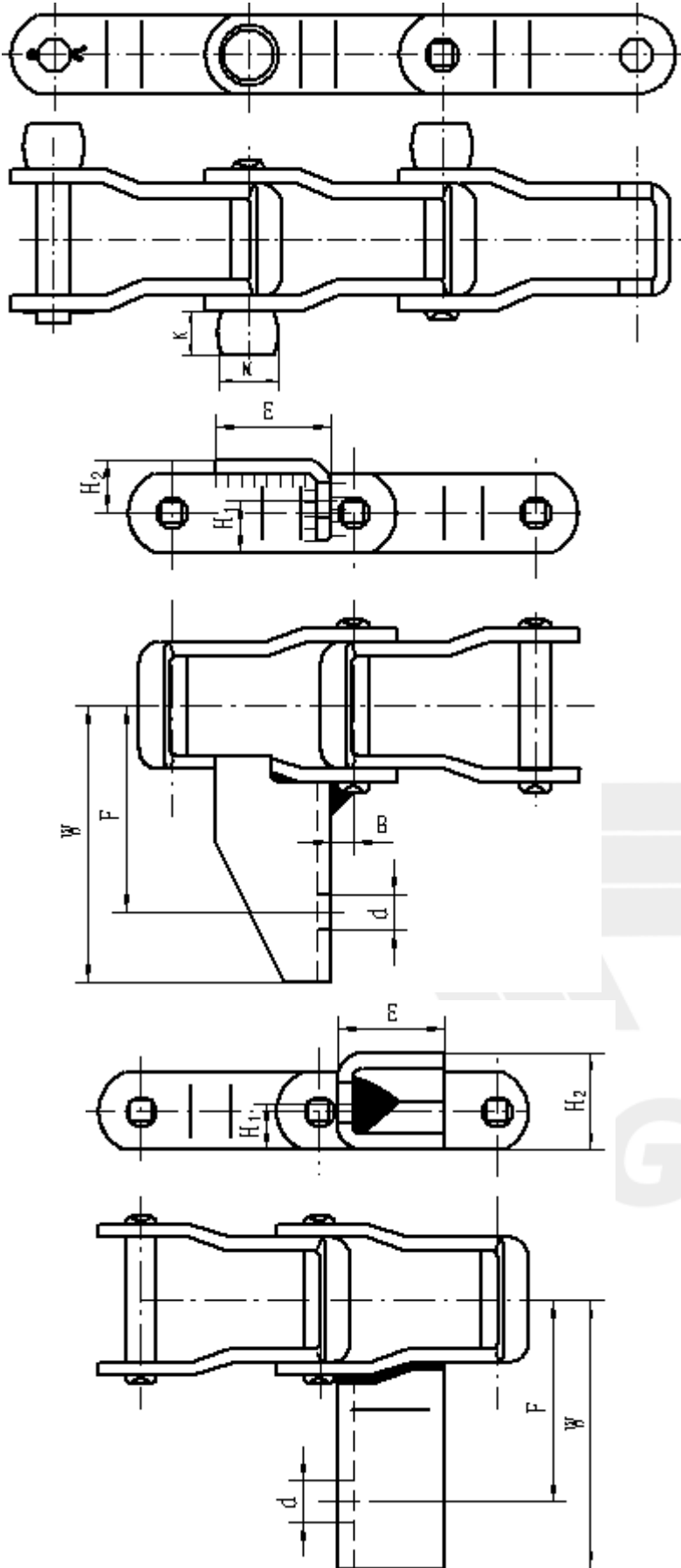
IGJIU



**HENGJIU**

Transmit Safety & Reliability

## Steel Pintle Chains -Attachments



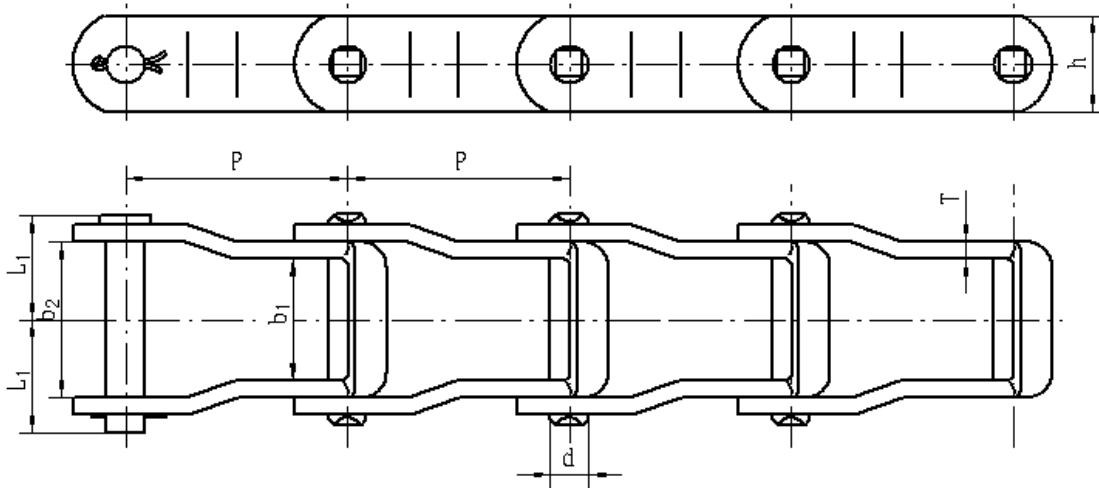
GJIU



**HENGJIU**

Transmit Safety & Reliability

# Steel Pintle Chains



Chain No.	P mm	b <sub>1</sub> mm	b <sub>2</sub> mm						Q(min) kN	Q <sub>0</sub> kN	q kg/m
				d mm	L <sub>1</sub> mm	L <sub>2</sub> mm	h mm	T mm			
D205	31.75	9.53	14.5	5.08	10.7	13.5	11.9	2.1	12.46	22	0.61
662	42.27	23.2	30.5	7.16	20.75	22.95	18.3	3.2	37.8	43	1.66
662H	42.27	23.2	31.3	7.16	21.45	23.85	20.4	3.6	42.5	48	2.04
667X	57.15	27	36.5	11.1	25	29.3	23.8	4.3	66.7	98	2.91
667XH	57.15	27.8	40.6	11.91	29.05	32.25	26.8	5.7	124.5	142	4.31
D667K	57.15	27.8	39.2	11.1	27.75	30.85	26.8	5.1	88.9	110	3.80
667H	58.75	25.6	32.9	7.92	21.85	24.25	22.23	3.2	42.26	52	1.85
667J	57.15	27	36.5	9.52	25	29.3	23.8	4.3	62.28	95	2.80
88K	66.27	27.8	39.2	11.1	27.75	30.85	26.8	5.1	88.9	110	3.60
D88C	66.27	31.75	45.75	12.7	32.65	35.65	28.58	6.4	133	145	5.25

HENGJIU

Q<sub>min</sub> KN = Ultimate tensile strength

Q<sub>0</sub> KN = Average tensile strength