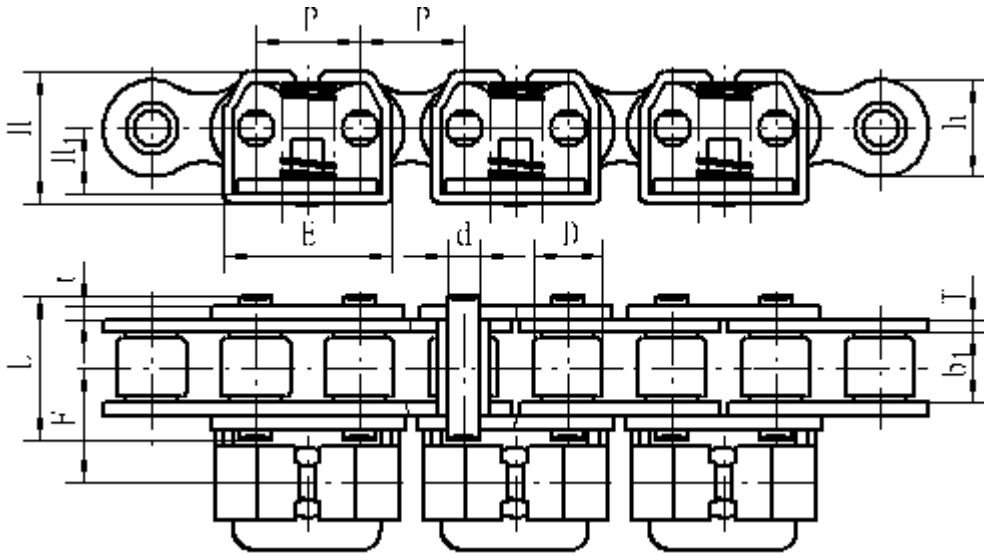


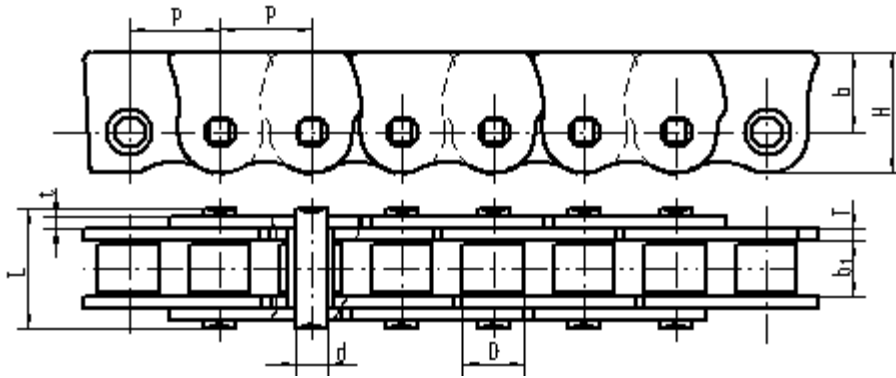
Stainless Steel Special Roller Chains



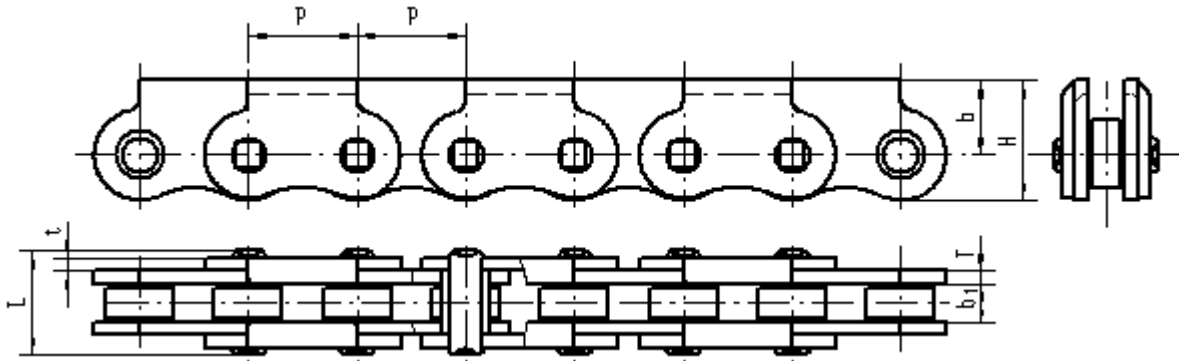
DIN/ISO Chain No.	P mm	b_1 (min) mm	D (max) mm									Q_{min} kN	q kg/m
				d mm	L mm	h mm	H mm	H_1 mm	E mm	F mm	t/T mm		
C08BHOASS	12.7	7.75	8.51	4.45	16.5	11.8	16.3	7.9	20.4	13.9	1.52	10.7	1.13

Q_{min} Kn = Ultimate tensile strength

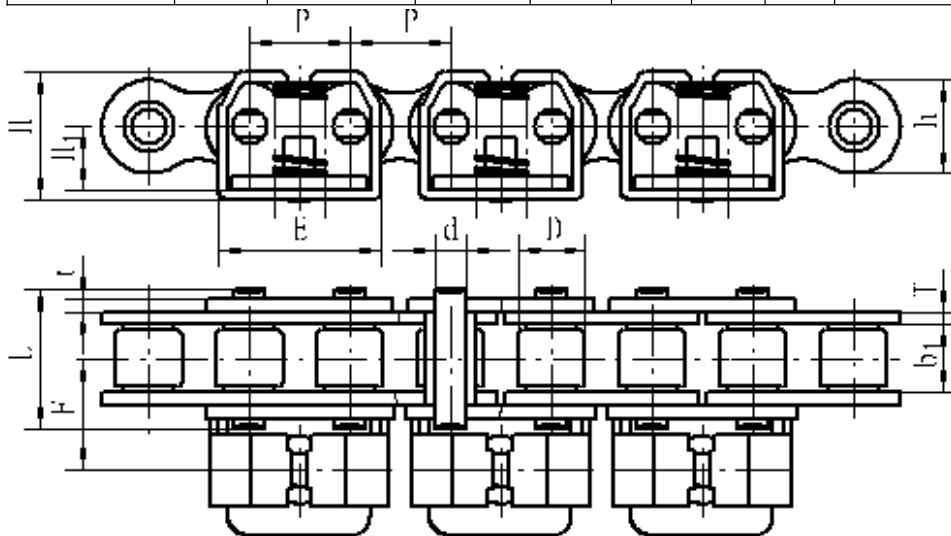
Stainless Steel Special Roller Chains



DIN/ISO Chain No.	P mm	b ₁ (min) mm	D (max) mm	d mm	L mm	h mm	H mm	t/T mm	Q _{min} kN	q kg/m
				C08BSSF15	12.7	7.8	8.51	4.45		



DIN/ISO Chain No.	P mm	b ₁ (min) mm	D (max) mm	d mm	L mm	h mm	H mm	t/T mm	Q _{min} kN	q kg/m
				08HK	12.7	4.08	7.75	4.09		



DIN/ISO Chain No.	P mm	b ₁ (min) mm	D (max) mm	d mm	L mm	h mm	H mm	H ₁ mm	E mm	F mm	t/T mm	Q _{min} kN	q kg/m
				C08BHOASS	12.7	7.75	8.51	4.45	16.5	11.8	16.3		

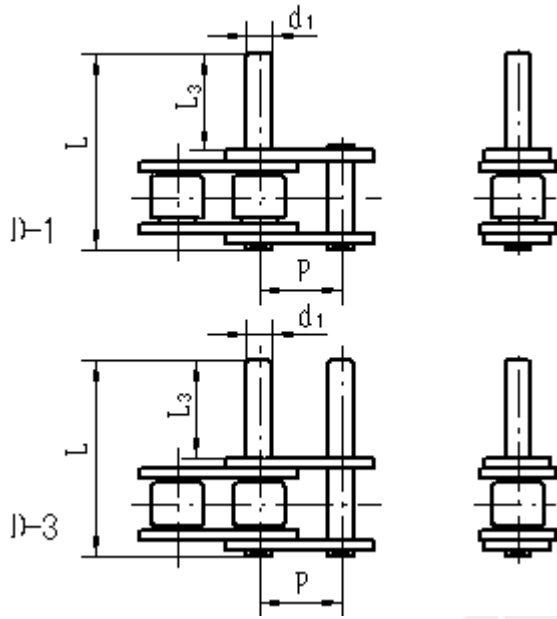
Q_{min} KN = Ultimate tensile strength



HENGJIU

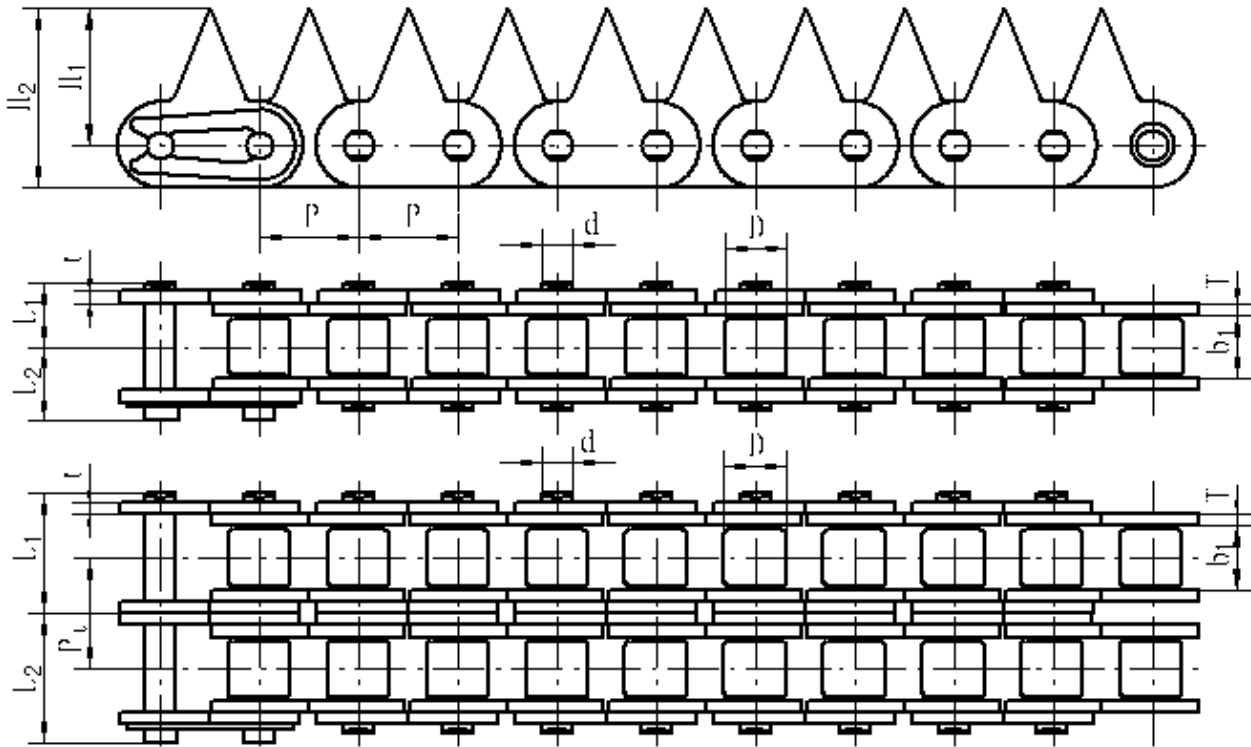
Transmit Safety & Reliability

Stainless Steel Short Pitch Roller Chains-Attachments



DIN/ISO Chain No.	P mm	L mm	L ₃ mm	d ₁ mm
40SS	12.7	25	9.5	3.96
50SS	15.875	31.2	11.9	5.08
60SS	19.05	38.3	14.3	5.94
80SS	25.4	50.1	19.05	7.92
100SS	31.75	61.5	23.8	9.52
120SS	38.1	76.4	28.6	11.1
08BSS	12.7	28.6	12.7	4.45
10BSS	15.875	29.9	11.9	5.08
12BSS	19.05	35	14.3	5.72
16BSS	25.4	52.8	19.1	8.28

Stainless Steel Special Roller Chains



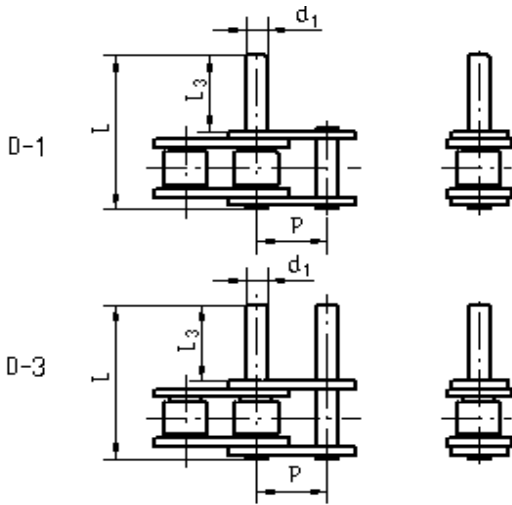
Chain No.	P mm	b ₁ (min) mm	D (max) mm							Pt mm	Q _{min} kN	q kg/m
				d mm	L ₁ mm	L ₂ mm	H ₁ mm	H ₂ mm	t/T mm			
C40SS-1-N	12.7	7.85	7.92	3.96	8.3	9.6	17.1	22.6	1.52	/	10.4	0.80
C40SS-2-N	12.7	7.85	7.92	3.96	16.95	17.95	17.1	22.6	1.52	14.38	19.76	1.84

Q_{min} KN = Ultimate tensile strength



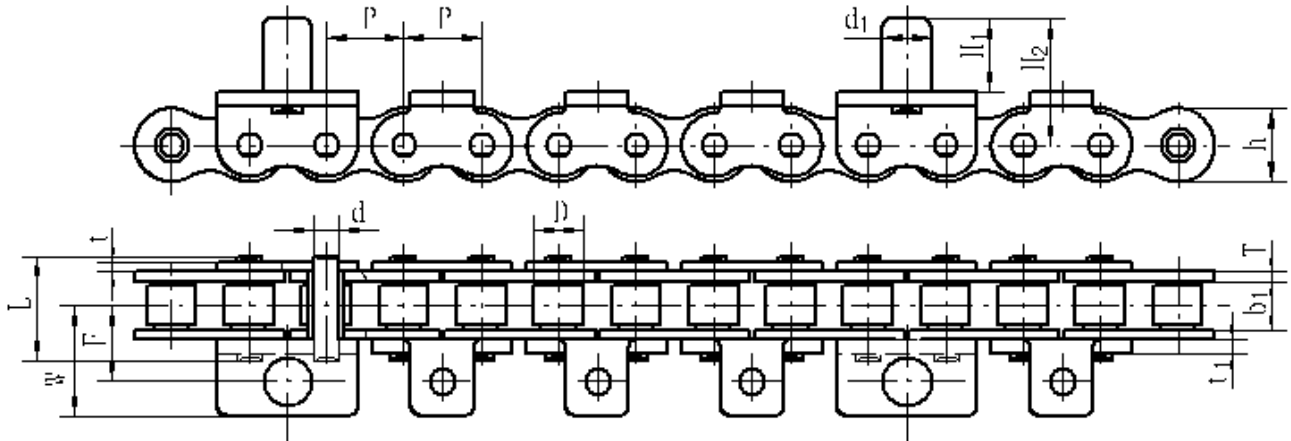
HENGJIU
Transmit Safety & Reliability

Stainless Steel Short Pitch Roller Chains-Attachments

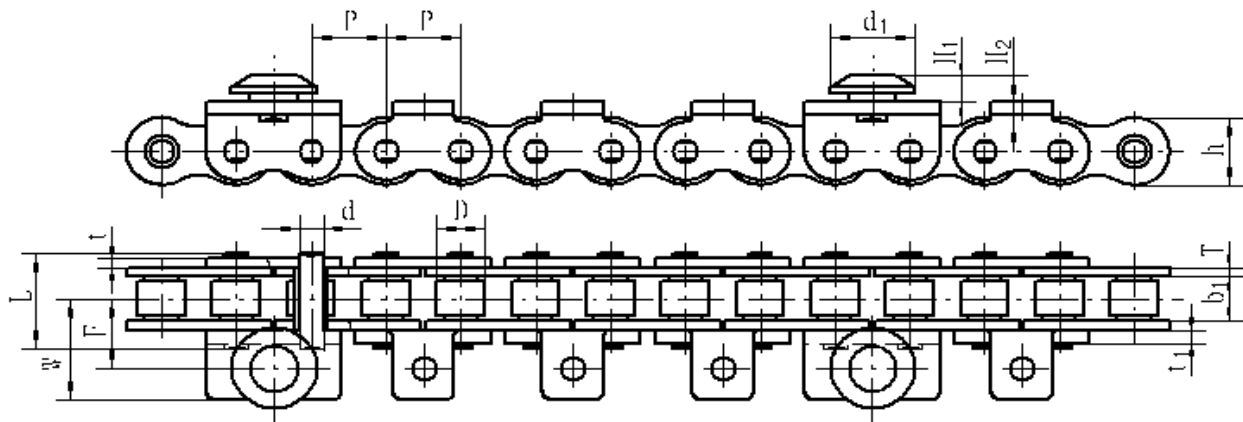


DIN/ISO Chain No.	P mm	L mm	L ₃ mm	d ₁ mm
40SS	12.7	25	9.5	3.96
50SS	15.875	31.2	11.9	5.08
60SS	19.05	38.3	14.3	5.94
80SS	25.4	50.1	19.05	7.92
100SS	31.75	61.5	23.8	9.52
120SS	38.1	76.4	28.6	11.1
08BSS	12.7	28.6	12.7	4.45
10BSS	15.875	29.9	11.9	5.08
12BSS	19.05	35	14.3	5.72
16BSS	25.4	52.8	19.1	8.28

Stainless Steel Special Roller Chains



Chain No.	P mm	b ₁ (min) mm	D (max) mm	d	L	h	t/T	d ₁	H ₁	H ₂	t ₁	F	W	Q _{min} kN	q kg/m
				mm	mm	mm	mm	mm	mm	mm	mm	mm	mm		
C50SS-SK ₁ ·N ₄	15.875	9.4	10.16	5.08	21.9	15	2	10	15	26	3	15.5	22.5	19	1.38



Chain No.	P mm	b ₁ (min) mm	D (max) mm	d	L	h	t/T	d ₁	H ₁	H ₂	t ₁	F	W	Q _{min} kN	q kg/m
				mm	mm	mm	mm	mm	mm	mm	mm	mm	mm		
C50SS-SK ₁ ·N ₄	15.875	9.4	10.16	5.08	21.9	15	2	18	5.8	16.8	3	15.5	22.5	19	1.38

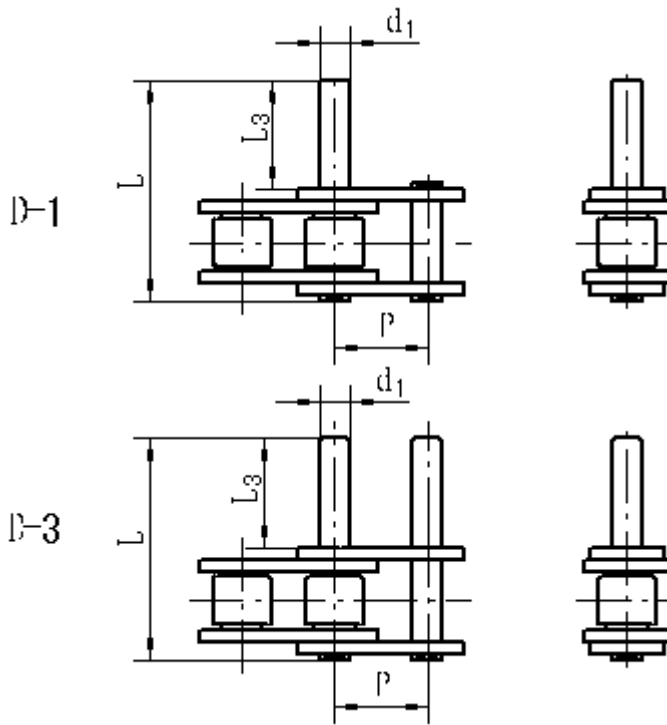
Q_{min} KN = Ultimate tensile strength



HENGJIU

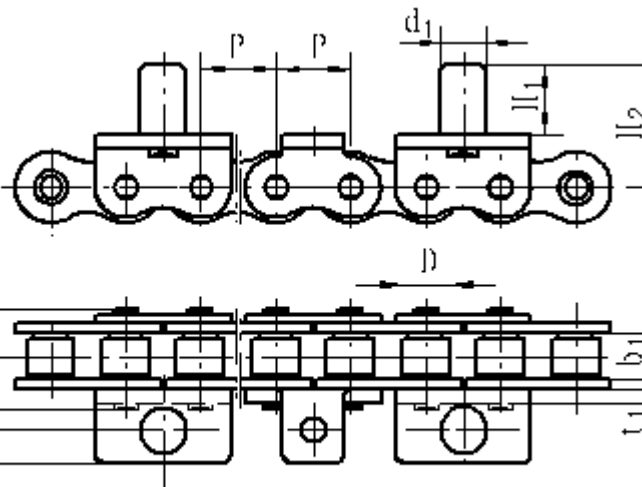
Transmit Safety & Reliability

Stainless Steel Short Pitch Roller Chains-Attachments

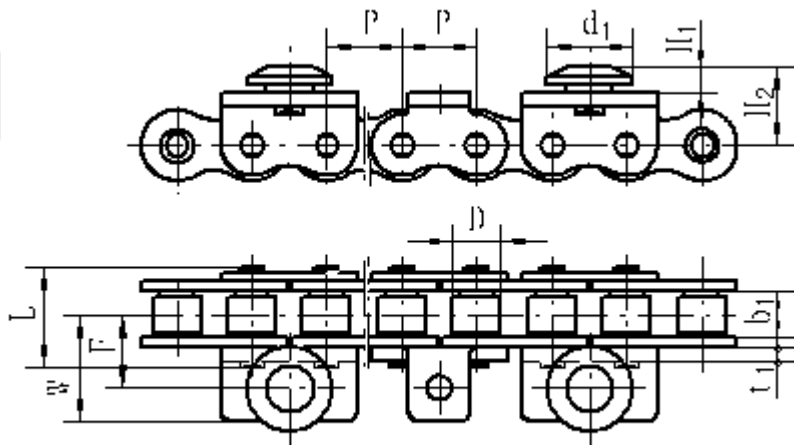


DIN/ISO Chain No.	P mm	L mm	L ₃ mm	d ₁ mm
40SS	12.7	25	9.5	3.96
50SS	15.875	31.2	11.9	5.08
60SS	19.05	38.3	14.3	5.94
80SS	25.4	50.1	19.05	7.92
100SS	31.75	61.5	23.8	9.52
120SS	38.1	76.4	28.6	11.1
08BSS	12.7	28.6	12.7	4.45
10BSS	15.875	29.9	11.9	5.08
12BSS	19.05	35	14.3	5.72
16BSS	25.4	52.8	19.1	8.28

Stainless Steel Special Roller Chains



C50SS-SK₁ · N₄

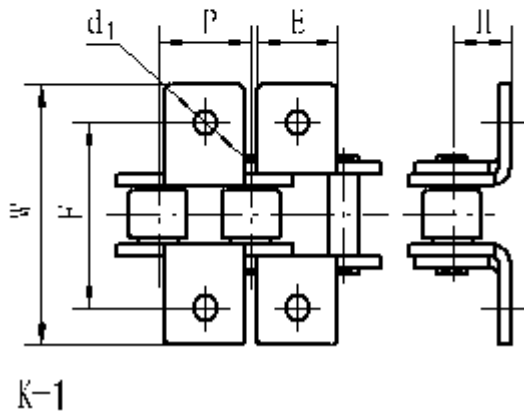
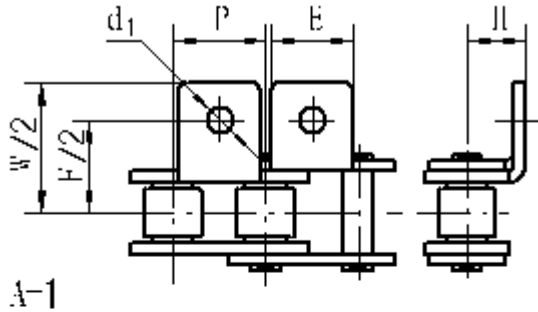


C50SS-SK₁ · N₇

Chain No.	P mm	b ₁ (min) mm	D (max) mm	L mm	d ₁	H ₁	H ₂	t ₁	F	W	Q _{min} kN	q kg/m
					mm	mm	mm	mm	mm	mm		
C50SS-SK ₁ · N ₄	15.875	9.4	10.16	21.9	10	15	26	3	15.5	22.5	19	1.38
C50SS-SK ₁ · N ₇	15.875	9.4	10.16	21.9	18	5.8	16.8	3	15.5	22.5	19	1.38

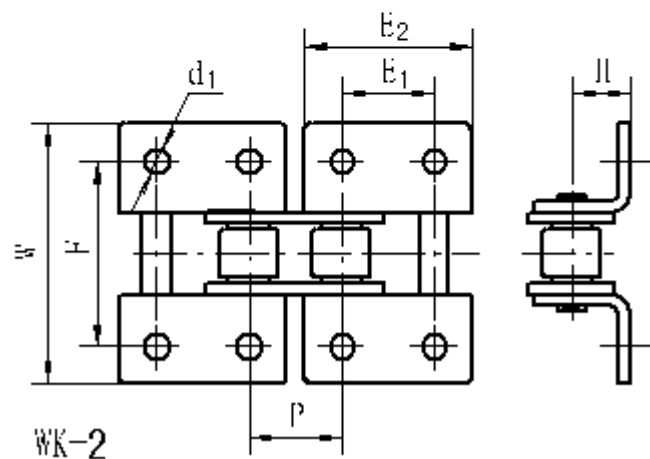
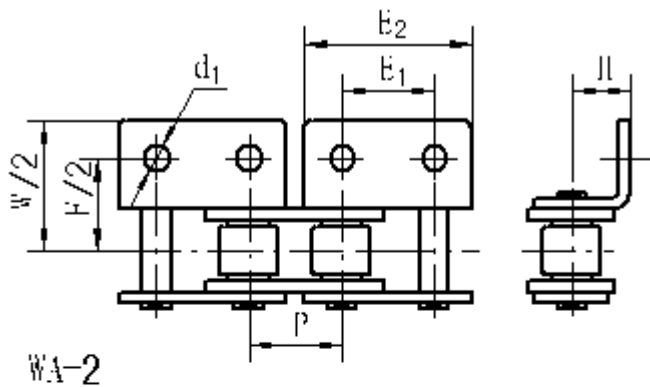
Q_{min} KN = Ultimate tensile strength

Stainless Steel Short Pitch Roller Chains-Attachments



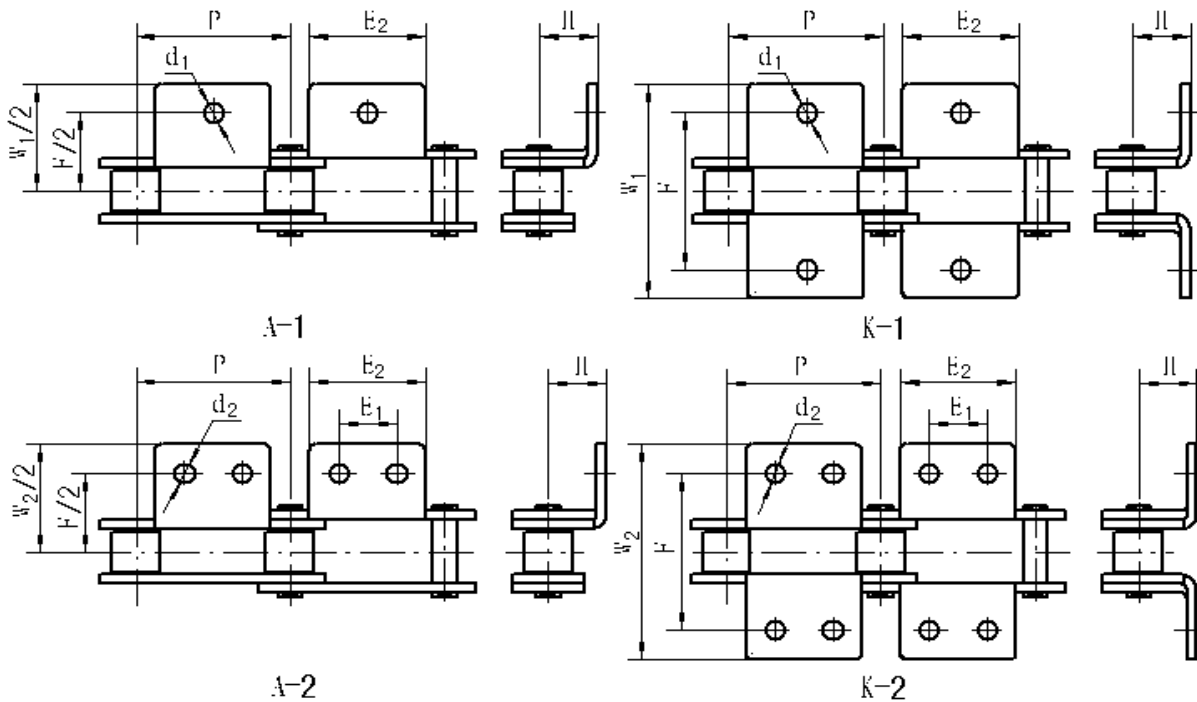
DIN/ISO Chain No.	P mm	W mm	F mm	E mm	d ₁ mm	H mm
35SS	9.525	27	19.05	7.94	2.78	6.35
40SS	12.7	34	25.4	9.5	3.6	7.9
50SS	15.875	47.75	31.75	14	5.3	10.3
60SS	19.05	54.8	38.1	15.9	5.2	11.9
80SS	25.4	71.4	50.8	22.2	6.8	15.9
100SS	31.75	84.1	63.5	25.4	8.33	19.84
120SS	38.1	104.8	76.2	28.6	11	23
06BSS	9.525	27	19.05	7.94	3.25	6.35
08BSS	12.7	35.6	25.4	12	4.5	8.9
10BSS	15.875	44.6	31.75	14.3	5.3	10.31
12BSS	19.05	52.3	38.1	15.9	6.4	13.46
16BSS	25.4	72.6	50.8	19.1	6.4	15.88

HENGJIU



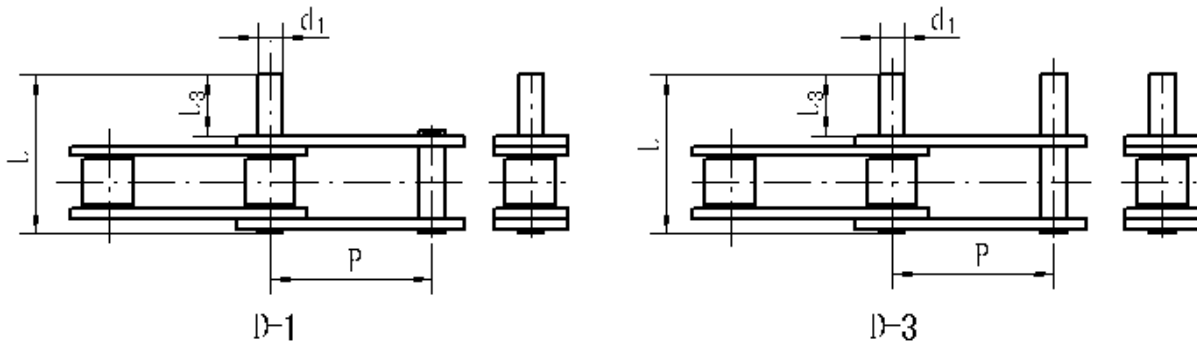
DIN/ISO Chain No.	P mm	W mm	F mm	E ₁ mm	E ₂ mm	d ₁ mm	H mm
40SS	12.7	34	25.4	12.7	23.1	3.6	7.9
50SS	15.875	48.15	31.75	15.875	28.78	5.5	10.3
60SS	19.05	54.8	38.1	19.05	34.59	5.5	11.9
80SS	25.4	71.4	50.8	25.4	45.9	6.6	15.9
100SS	31.75	84.1	63.5	31.75	57.75	9.3	19.84
120SS	38.1	104.8	76.2	38.1	69.1	11	23
08BSS	12.7	36.4	25.4	12.7	23.6	4.5	8.9
10BSS	15.875	44.6	31.75	15.875	29.48	5.3	10.31
12BSS	19.05	52.3	38.1	19.05	35.05	6.4	13.46
16BSS	25.4	72.6	50.8	25.4	46.3	6.4	15.88

Stainless steel Double Pitch Roller Chains-Attachments



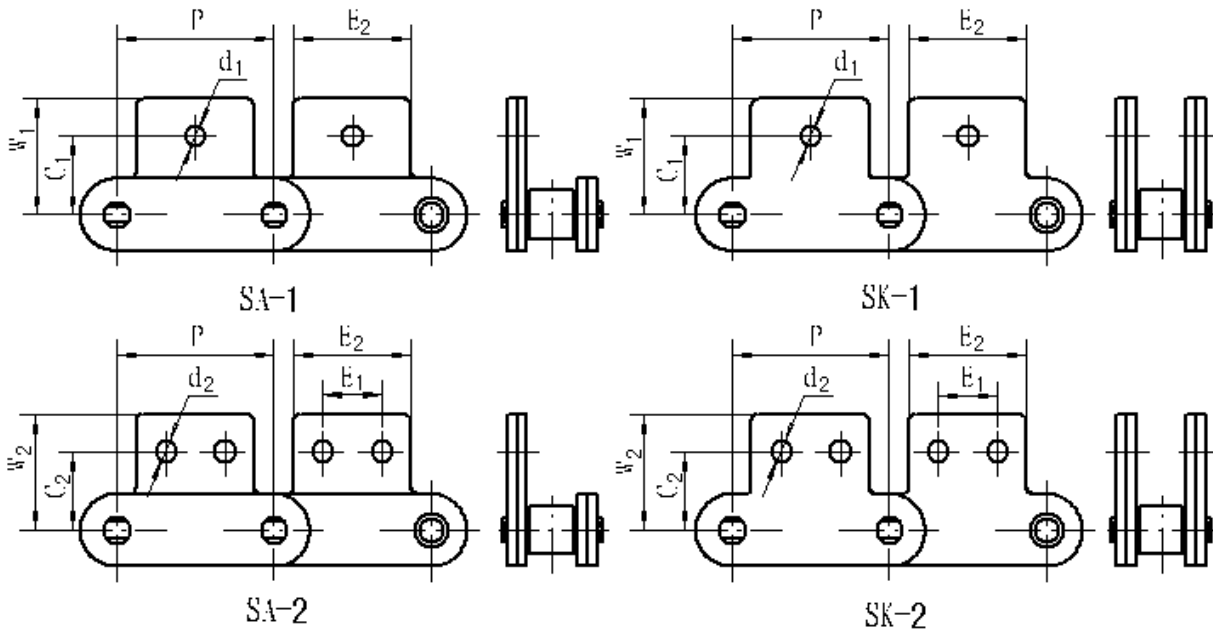
ANSI Chain No.	P mm	W ₁ mm	W ₂ mm	F mm	E ₁ mm	E ₂ mm	d ₁ mm	d ₂ mm	H mm
C2040SS C2042SS	25.4	39.6	39.6	25.4	9.5	19.1	3.6	3.6	9.1
C2040HSSC2042HSS									
25.4	39.6	39.6	25.4	9.5	19.1	3.6	3.6	9.1	
C208BSS C208BLSS	25.4	39.6	38.6	25.4	12.7	24	4.5	4.5	9.1
C2050SS C2052SS	31.75	48.4	48.4	31.8	11.9	24	5.5	5.2	11.1
C2050HSS C2052HSS	31.75	48.4	48.4	31.8	11.9	24	5.5	5.2	11.1
C2060SS C2062SS	38.1	61.06	61.06	42.86	14.3	28.6	5.2	5.2	14.7
C2060HSS C2062HSS	38.1	61.06	61.06	42.86	14.3	28.6	5.5	5.2	14.7
C2080SS C2082SS	50.8	76.2	76.2	55.6	19.1	38.1	6.8	6.8	19.1
C2080HSS C2082HSS	50.8	79.4	79.4	55.6	19.1	38.1	6.8	6.8	19.1
C2100SS C2102SS	63.5	98.4	98	66.6	23.8	47.5	8.8	9.5	23.4
C2100HSS C2102HSS	63.5	98.4	98	66.6	23.8	47.5	8.8	9.5	23.4
C2120SS C2122SS	76.2	118.3	118.3	79.3	28.6	57.1	11	11	27.8
C2120HSS C2122HSS	76.2	118.3	118.3	79.3	28.6	57.1	11	11	27.8

Stainless steel Double Pitch Roller Chains-Attachments



ANSI Chain No.	P mm	L mm	L ₃ mm	d ₁ mm
C2040SS C2042SS	25.4	25	9.5	3.96
C2040HSSC2042HSS				
25.4	26.9	9.5	3.96	
C208BSS C208BLSS	25.4	28.6	12.7	4.45
C2050SS C2052SS	31.75	31.2	11.9	5.08
C2050HSS C2052HSS	31.75	32.8	11.9	5.08
C2060SS C2062SS	38.1	38.3	14.3	5.94
C2060HSS C2062HSS	38.1	41.6	14.3	5.94
C2080SS C2082SS	50.8	50.2	19.1	7.92
C2080HSS C2082HSS	50.8	53.2	19.1	7.92
C2100SS C2102SS	63.5	61.5	23.8	9.52
C2100HSS C2102HSS	63.5	65	23.8	9.52
C2120SS C2122SS	76.2	76.4	28.6	11.1
C2120HSS C2122HSS	76.2	79.4	28.6	11.1
C2160SS C2162SS	101.6	99.3	38.1	14.27
C2160HSS C2162HSS	101.6	102.7	38.1	14.27

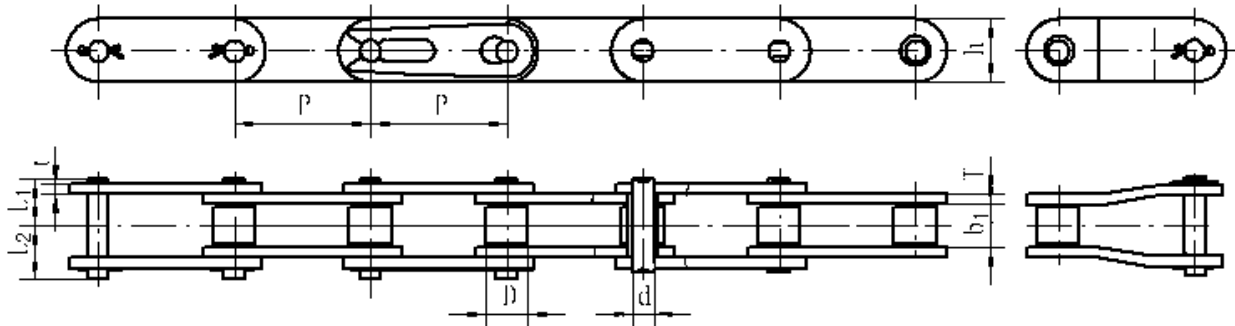
Stainless steel Double Pitch Roller Chains-Attachments



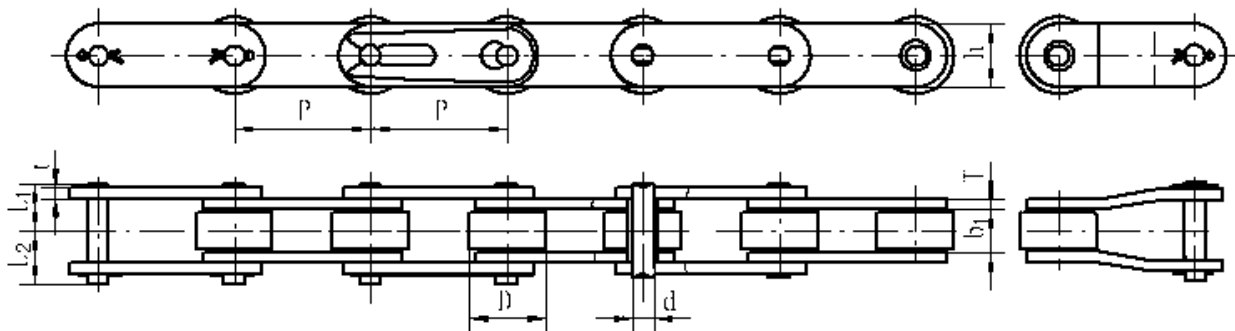
ANSI Chain No.	P mm	W ₁ mm	W ₂ mm	C ₁ mm	C ₂ mm	E ₁ mm	E ₂ mm	d ₁ mm	d ₂ mm
C2040SS C2042SS	25.4	19.4	19.4	11.1	13.5	9.5	19	3.6	3.6
C2040HSSC2042HSS									
25.4	19.4	19.4	11.1	13.5	9.5	19	3.6	3.6	
C208BSS C208BLSS	25.4	19.8	19.8	11.1	13.2	12.7	24	4.5	4.5
C2050SS C2052SS	31.75	24.6	25	14.3	15.9	11.9	23.8	6.35	5.2
C2050HSS C2052HSS	31.75	24.6	25	14.3	15.9	11.9	23.8	6.35	5.2
C2060SS C2062SS	38.1	30.1	29.8	17.5	19.05	14.3	28.6	8.33	5.2
C2060HSS C2062HSS	38.1	30.1	29.8	17.5	19.05	14.3	28.6	8.33	5.2
C2080SS C2082SS	50.8	37.4	37.4	22.2	25.5	19.05	38.1	11.0	6.8
C2080HSS C2082HSS	50.8	37.4	37.4	22.2	25.5	19.05	38.1	11.1	6.8
C2100SS C2102SS	63.5	47.8	47.8	28.6	31.8	23.8	47.5	13.1	8.2
C2100HSS C2102HSS	63.5	47.8	47.8	28.6	31.8	23.8	47.5	13.1	8.2
C2120SS C2122SS	76.2	63	63	33.3	37.3	28.6	57	15.0	10.5
C2120HSS C2122HSS	76.2	63	63	33.3	37.3	28.6	57	15.0	10.5

Stainless Steel Conveyor Double Pitch Roller Chains

Standard Roller Type



Oversize Roller Type



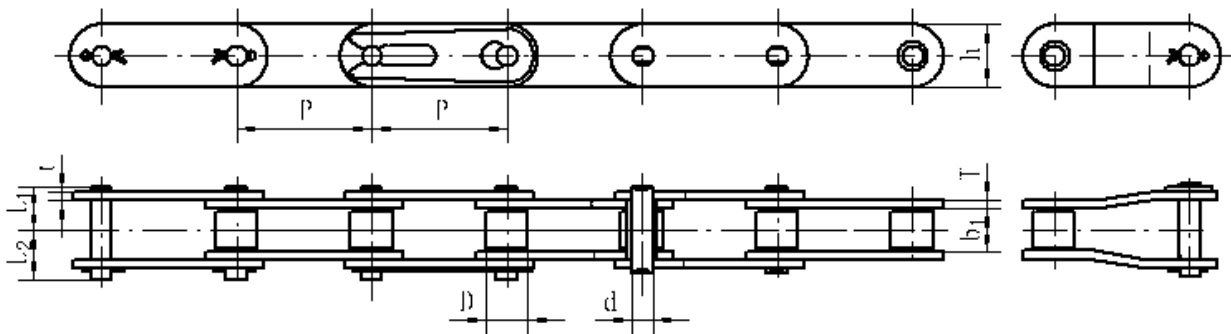
ANSI Chain No.	P mm	b ₁ (min) mm	D (max) mm	d mm	L ₁ mm	L ₂ mm	h mm	t/T mm	Q _{min} kN	q kg/m
C2040HSS	25.4	7.85	7.92	3.96	9.25	10.55	12	2	10.4	0.63
C2042HSS	25.4	7.85	15.88	3.96	9.25	10.55	12	2	10.4	0.97
C2050HSS	31.75	9.4	10.16	5.08	11.05	12.45	15	2.4	19	0.95
C2052HSS	31.75	9.4	19.05	5.08	11.05	12.45	15	2.4	19	1.41
C2060HSS	38.1	12.57	11.91	5.94	14.3	15.7	18	3.2	24	1.51
C2062HSS	38.1	12.57	22.23	5.94	14.3	15.7	18	3.2	24	2.20
C2080HSS	50.8	15.75	15.88	7.92	17.85	19.25	23.5	4	42.8	2.50
C2082HSS	50.8	15.75	28.58	7.92	17.85	19.25	23.5	4	42.8	3.52
C2100HSS	63.5	18.9	19.05	9.52	21.55	25.05	30	4.9	58	3.77
C2102HSS	63.5	18.9	39.67	9.52	21.55	25.05	30	4.9	58	5.89
C2120HSS	76.2	25.22	22.23	11.1	26.5	29.9	35.8	5.6	78	5.29
C2122HSS	76.2	25.22	44.45	11.1	26.5	29.9	35.8	5.6	78	8.22

Q_{min} Kn = Ultimate tensile strength

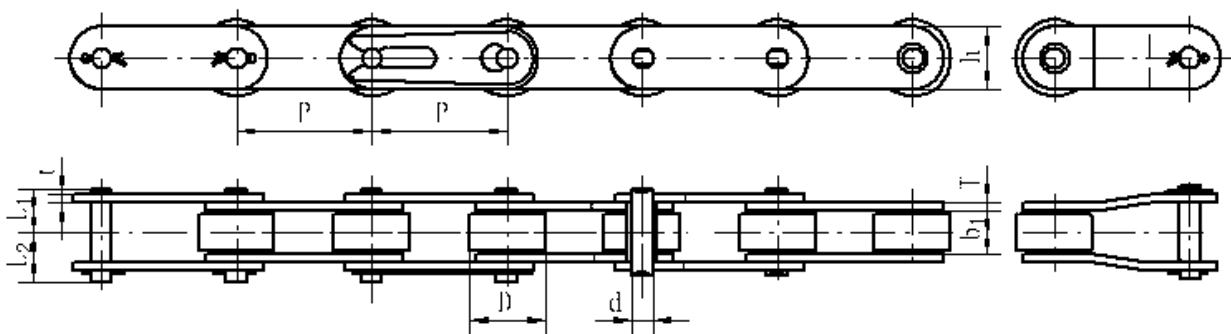
Connecting Type: 1. The series less than C2060HSS (including C2060HSS) is preferred for spring clip type;
2. The series larger than C2080HSS (including C2080HSS) is preferred for cottered type.

Stainless Steel Conveyor Double Pitch Roller Chains

Standard Roller Type



Oversize Roller Type

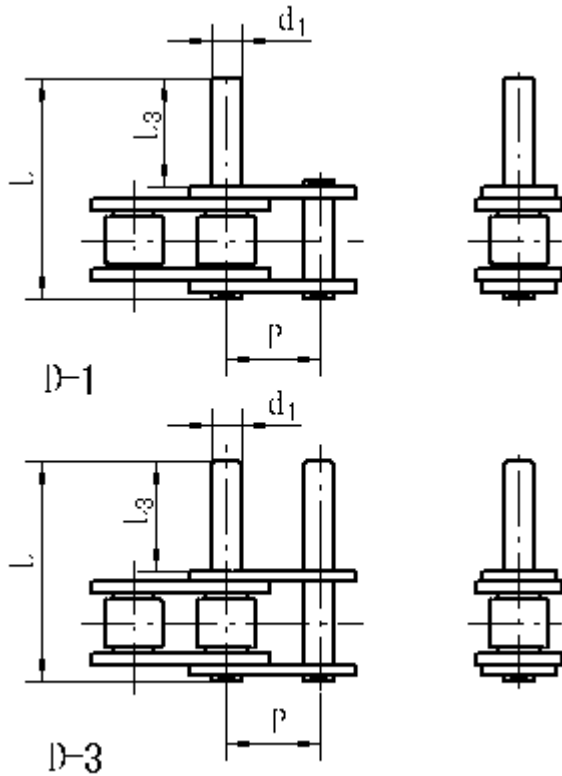


ANSI Chain No.	P mm	b ₁ (min) mm	D (max) mm						Q _{min} kN	q kg/m
				d mm	L ₁ mm	L ₂ mm	h mm	t/T mm		
C2040SS	25.4	7.85	7.92	3.96	8.3	9.6	12	1.52	10.4	0.52
C2042SS	25.4	7.85	15.88	3.96	8.3	9.6	12	1.52	10.4	0.86
C208BSS	25.4	7.75	8.51	4.45	8.5	9.9	11.8	1.65	11.3	0.56
C208BLSS	25.4	7.75	15.88	4.45	8.5	9.9	11.8	1.65	11.3	0.88
C2050SS	31.75	9.4	10.16	5.08	10.25	11.85	15	2	19	0.83
C2052SS	31.75	9.4	19.05	5.08	10.25	11.85	15	2	19	1.29
C2060SS	38.1	12.57	11.91	5.94	12.65	14.35	18	2.4	24	1.20
C2062SS	38.1	12.57	22.23	5.94	12.65	14.35	18	2.4	24	1.91
C2080SS	50.8	15.75	15.88	7.92	16.2	17.9	23.5	3.2	42.8	2.10
C2082SS	50.8	15.75	28.58	7.92	16.2	17.9	23.5	3.2	42.8	3.12
C2100SS	63.5	18.9	19.05	9.52	19.8	23.3	30	4	58	3.22
C2102SS	63.5	18.9	39.67	9.52	19.8	23.3	30	4	58	5.33
C2120SS	76.2	25.22	22.23	11.1	25	28.3	35.8	4.9	78	4.72
C2122SS	76.2	25.22	44.45	11.1	25	28.3	35.8	4.9	78	7.72

Q_{min} Kn = Ultimate tensile strength

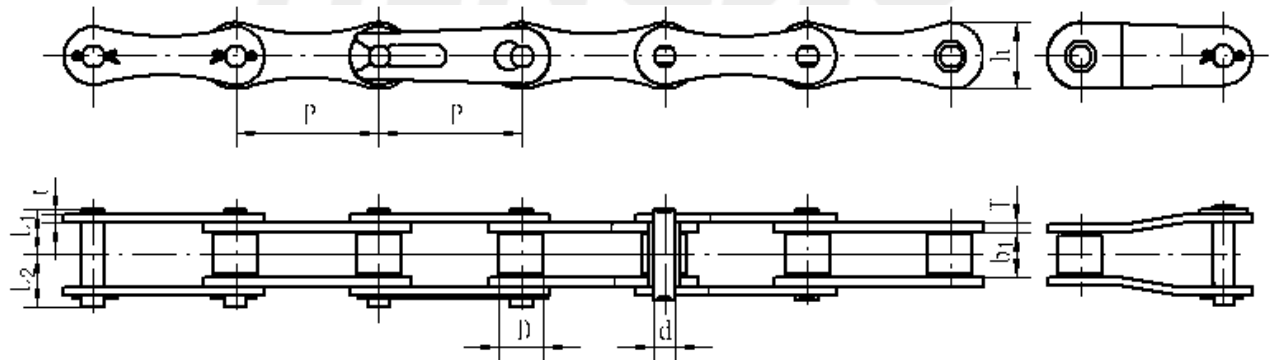
Connecting Type: 1. The series less than C2060SS (including C2060SS) is preferred for spring clip type;
2. The series larger than C2080SS (including C2080SS) is preferred for cottered type.

Stainless Steel Short Pitch Roller Chains-Attachments



DIN/ISO Chain No.	Pitch P mm	L mm	L ₃ mm	d ₁ mm
40SS	12.7	25	9.5	3.96
50SS	15.875	31.2	11.9	5.08
60SS	19.05	38.3	14.3	5.94
80SS	25.4	50.1	19.05	7.92
100SS	31.75	61.5	23.8	9.52
120SS	38.1	76.4	28.6	11.1
08BSS	12.7	28.6	12.7	4.45
10BSS	15.875	29.9	11.9	5.08
12BSS	19.05	35	14.3	5.72
16BSS	25.4	52.8	19.1	8.28

Stainless Steel Transmission Double Pitch Roller Chains

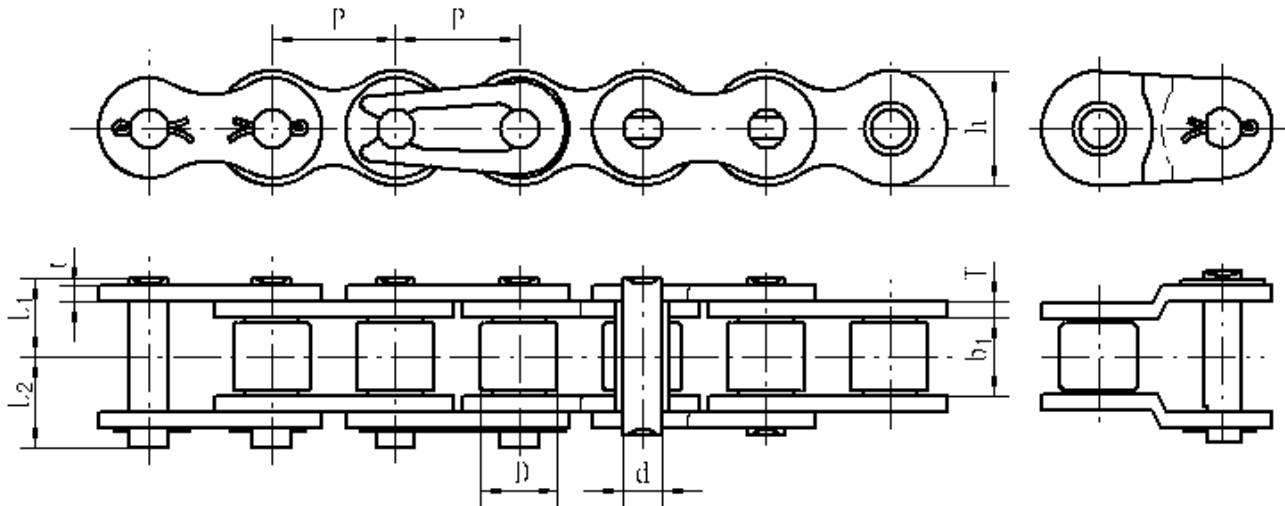


ANSI Chain No.	P mm	b ₁ (min) mm	D (max) mm						Q _{min} kN	q kg/m
				d mm	L ₁ mm	L ₂ mm	h mm	t/T mm		
2040SS	25.4	7.85	7.92	3.96	8.3	9.6	12	1.52	10.4	0.42
2050SS	31.75	9.4	10.16	5.08	10.25	11.85	15	2	19	0.69
2060SS	38.1	12.57	11.91	5.94	12.65	14.35	18	2.4	24	1.01
2080SS	50.8	15.75	15.88	7.92	16.2	17.9	23.5	3.2	42.8	1.74

Q_{min} Kn = Ultimate tensile strength

Connecting Type: The series less than 2060SS (including 2060SS) is preferred for spring clip type;
The series larger than 2080SS (including 2080SS) is preferred for cottered type.

A、 B Series Stainless Steel Short Pitch Roller Chains



DIN/ISO Chain No.	P mm	b ₁ (min) mm	D (max) mm						Q _{min} kN	q kg/m
				d mm	L ₁ mm	L ₂ mm	h mm	t/T mm		
*25SS-1	6.35	3.1	3.3	2.31	3.9	4.8	5.9	0.75	2.34	0.14
*35SS-1	9.525	4.68	5.08	3.58	6	7.2	9	1.27	6	0.35
41SS-1	12.7	6.25	7.77	3.58	6.85	8.25	9.8	1.27	4.7	0.44
40SS-1	12.7	7.85	7.92	3.96	8.3	9.6	12	1.52	10.4	0.65
50SS-1	15.875	9.4	10.16	5.08	10.25	11.85	15	2	19	1.04
60SS-1	19.05	12.57	11.91	5.94	12.65	14.35	18	2.4	24	1.54
80SS-1	25.4	15.75	15.88	7.92	16.35	17.75	23.5	3.2	42.8	2.64
100SS-1	31.75	18.9	19.05	9.52	19.8	23.3	30	4	58	3.98
120SS-1	38.1	25.22	22.23	11.1	25	28.3	35.8	4.9	78	5.87
03BSS-1	5	2.5	3.2	1.49	3.1	4.1	4.1	0.6	1.3	0.09
04BSS-1	6	2.8	4	1.85	3.3	4.2	5	0.6	1.3	0.12
05BSS-1	8	3	5	2.31	3.9	4.8	7	0.75	3.5	0.18
06BSS-1	9.525	5.72	6.35	3.28	6.27	7.23	8.2	1.0/1.27	5.4	0.38
08BSS-1	12.7	7.75	8.51	4.45	8.5	9.9	11.8	1.65	11.3	0.74
10BSS-1	15.875	9.65	10.16	5.08	9.6	10.9	14.6	1.65	14.9	0.95
12BSS-1	19.05	11.68	12.07	5.72	11	12.4	16	1.8	17.5	1.22
16BSS-1	25.4	17.02	15.88	8.28	17.65	19.05	20.9	3.2/4	42	2.77
20BSS-1	31.75	19.56	19.05	10.19	20.2	23.8	26	3.6/4.5	60	3.84
24BSS-1	38.1	25.4	25.4	14.63	26.65	31.05	33	5/6	92.8	7.04

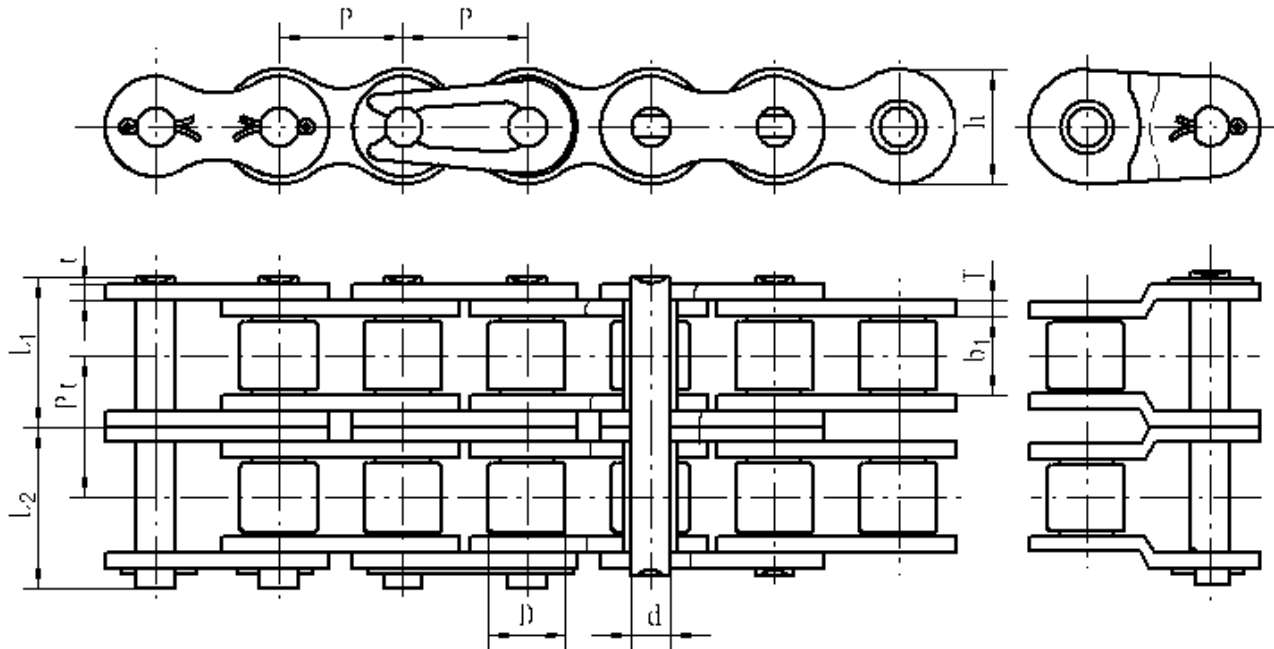
Q_{min} Kn = Ultimate tensile strength

* chains: Bushing chains with no roller;

Connecting Type: The series less than 80SS、16BSS(including 80SS、16BSS) is preferred for spring clip type;

The series larger than 100SS、20BSS(including 100SS、20BSS) is preferred for cottered type.

A、 B Series Stainless Steel Short Pitch Roller Chains



DIN/ISO Chain No.	Pitch P mm	b ₁ (min) mm	D (max) mm						Pt mm	Q _{min} kN	q kg/m
				d mm	L ₁ mm	L ₂ mm	H mm	t/T mm			
*25SS-2	6.35	3.1	3.3	2.31	7.1	7.9	5.9	0.75	6.4	4.45	0.27
*35SS-2	9.525	4.68	5.08	3.58	11.1	12.3	9	1.27	10.13	11.4	0.69
40SS-2	12.7	7.85	7.92	3.96	15.5	16.7	12	1.52	14.38	19.76	1.30
50SS-2	15.875	9.4	10.16	5.08	19.3	20.7	15	2	18.11	36.1	2.06
60SS-2	19.05	12.57	11.91	5.94	24.05	25.95	18	2.4	22.78	45.6	3.06
80SS-2	25.4	15.75	15.88	7.92	31	32.4	23.5	3.2	29.29	81.32	5.26
100SS-2	31.75	18.9	19.05	9.52	37.7	41.1	30	4	35.76	110.2	7.90
120SS-2	38.1	25.22	22.23	11.1	47.75	51.05	35.8	4.9	45.44	148.2	11.68
05BSS-2	8	3	5	2.31	6.75	7.59	7	0.75	5.64	6.65	0.36
06BSS-2	9.525	5.72	6.35	3.28	11.4	12.4	8.2	1.0/1.27	10.24	10.26	0.74
08BSS-2	12.7	7.75	8.51	4.45	15.5	16.9	11.8	1.65	13.92	21.47	1.45
10BSS-2	15.875	9.65	10.16	5.08	17.9	19.3	14.6	1.65	16.59	28.31	1.88
12BSS-2	19.05	11.68	12.07	5.72	20.75	22.15	16	1.8	19.46	33.25	2.42
16BSS-2	25.4	17.02	15.88	8.28	33.6	35	20.9	3.2/4	31.88	79.8	5.47
20BSS-2	31.75	19.56	19.05	10.19	38.45	42.05	26	3.6/4.5	36.45	114	7.61
24BSS-2	38.1	25.4	25.4	14.63	50.85	55.25	33	5/6	48.36	176.3	13.91

Q_{min} Kn = Ultimate tensile strength

* chains: Bushing chains with no roller;

Connecting Type: The series less than 80SS、16BSS(including 80SS、16BSS) is preferred for spring clip type;

The series larger than 100SS、20BSS(including 100SS、20BSS) is preferred for cottered type.