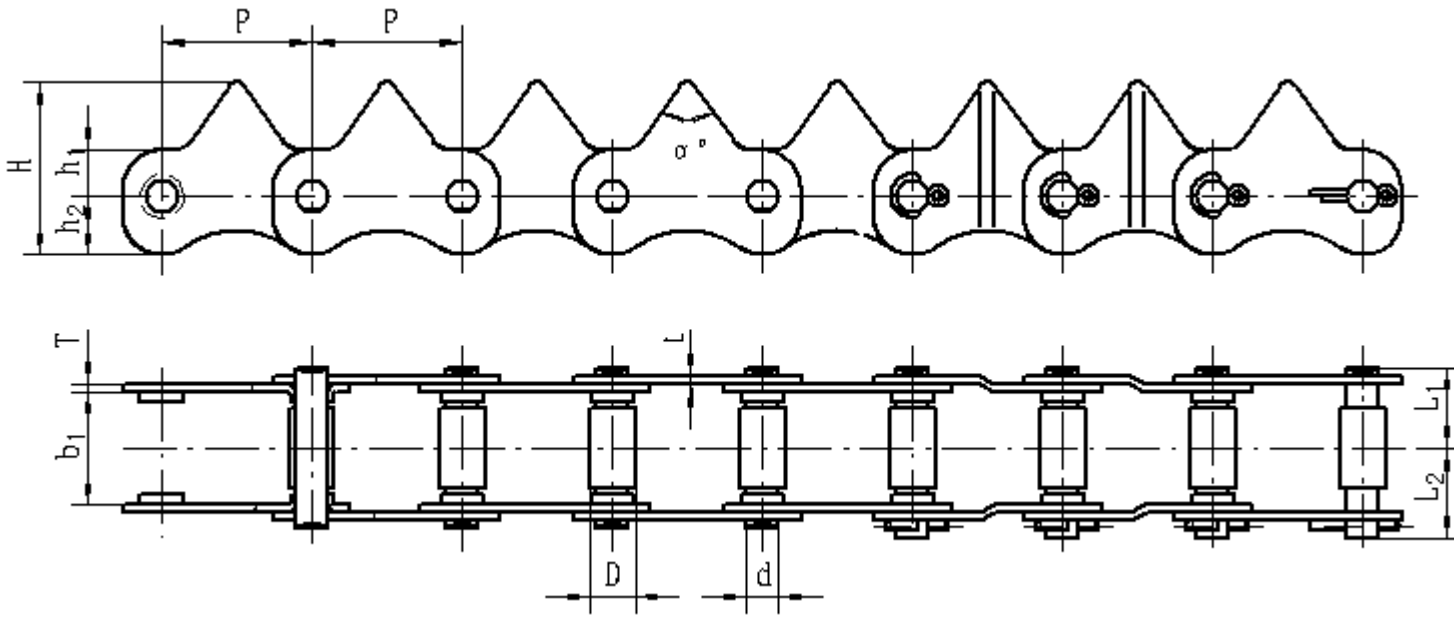


Rice Harvester Chains

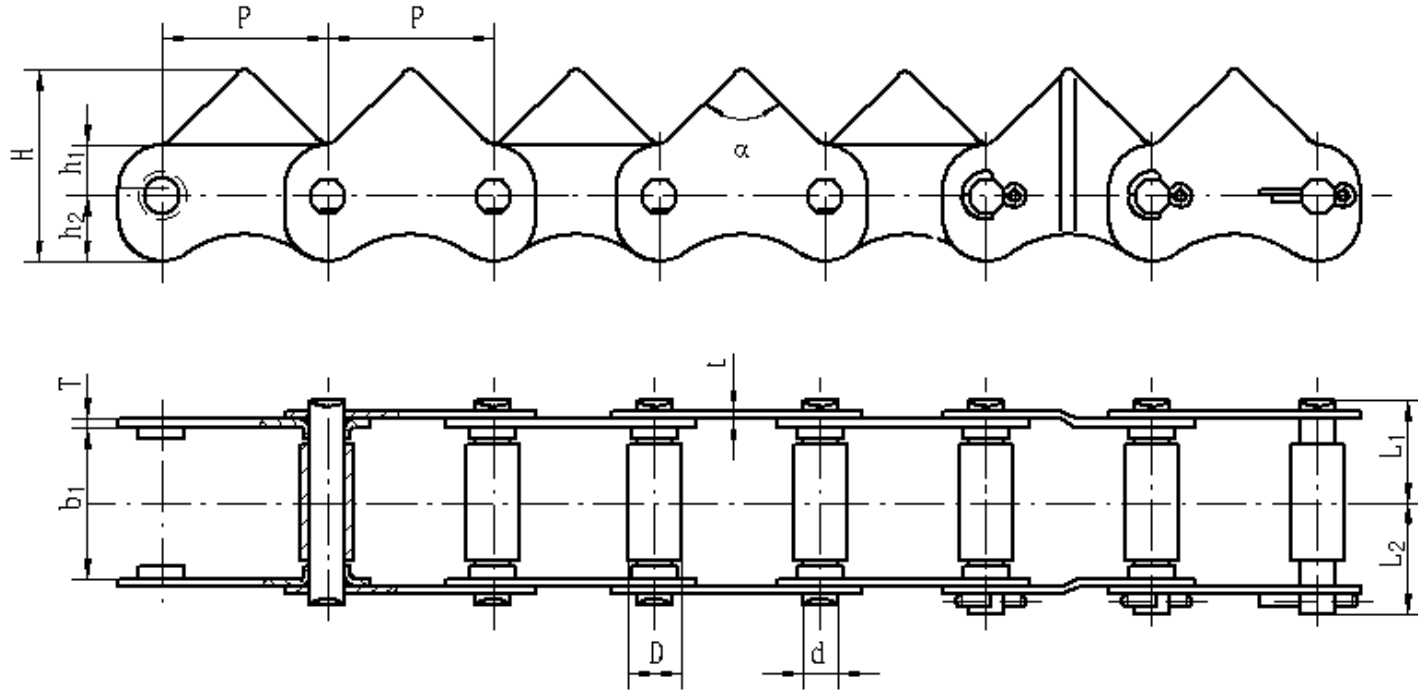


Chain No.	P mm	b ₁ (min) mm	D(max) mm				H mm	h ₁ mm	h ₂ mm	α	t/T mm	Q(min) kN	Q ₀ kN	q kg/m
				d mm	L ₁ mm	L ₂ mm								
3322T	33	22	10	7	16	18.7	38	10	13	70°	1.65	19.6	23	1.31
D3322(C'13-10-15)	33	22	10	7	16.35	19.05	38	10	13	70°	2/1.65	21.5	24.5/23	1.54
3325T	33	25	10	7	17.8	21.4	38	10	13	90°	1.65/2	19.6	23/24.5	1.50
3325T-A	33	25	10	7	17.45	20.15	38	10	13	70°	1.65	19.6	23	1.40
3325T-B	33	25	10	7	17.45	20.15	30	10	10	70°	1.65	19.6	23	1.20
D3325(C'13-10-15)	33	25	10	7	17.8	20.7	38	10	13	70°	2/1.65	21.5	24.5/23	1.49
D3325(C'13-10-20)	33	25	12.7	7	17.8	20.7	43	10	13	60°	2/1.65	21.5	24.5/23	1.76
D3325(A10-10-10)	33	25	10	7	17.8	20.7	30	10	10	75°	2/1.65	21.5	24.5/23	1.28
3330T	33	30	12.7	7	20	22.7	38	10	13	70°	1.65	19.6	23	1.73
3330T-B	33	30	10	7	20	22.7	43	10	13	60°	1.65	19.6	23	1.51
3330T-D	33	30	10	7	20.35	23.05	43	10	13	60°	2/1.65	19.6	24.5/23	1.63
3330T-J	33	30	12	7	20	22.7	43	10	13	60°	1.65	19.6	23	1.67
3350T	33	50	10	7	30	32.7	38	18	10	90°	1.65	19.6	23	1.92
D3330(A10-10-10)	33	30	10	7	20.35	23.05	30	10	10	70°	2/1.65	21.5	24.5/23	1.41
D3330(C'13-10-15)	33	30	10	7	20.35	23.05	38	10	13	70°	2/1.65	21.5	24.5/23	1.63
3358T	33	58	10	7	34.05	36.65	43	18	10	75°	1.65	19.6	23	2.16
3358T-C	33	58	10	7	34.05	36.65	38	10	13	90°	1.65	19.6	23	1.90
D3335(C'13-10-15)	33	35	10	7	22.85	25.55	38	10	13	70°	2/1.65	21.5	24.5/23	1.67
D3355(C10-18-15)	33	55	10	7	32.9	35.6	43	18	10	75°	2/1.65	21.5	24.5/23	2.34
D3358(C10-18-15)	33	58	10	7	34.4	37.1	43	18	10	75°	2/1.65	21.5	24.5/23	2.38

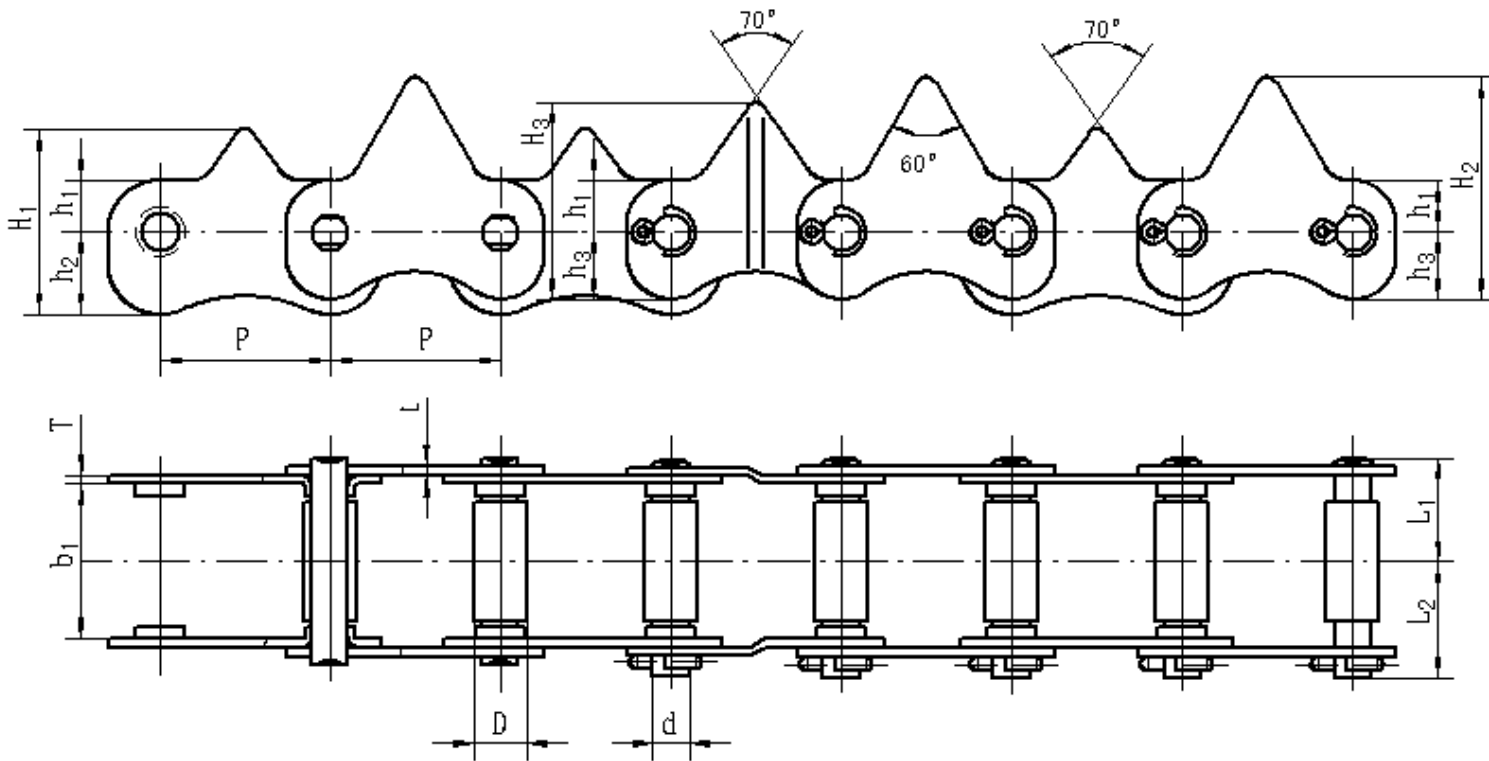
Q_{min} kN = Ultimate tensile strength

Q₀ kN = Average tensile strength

Rice Harvester Chains



Chain No.	P mm	b_1 (min) mm	D(max) mm									Q(min) kN	Q_0 kN	q kg/m
				d mm	L_1 mm	L_2 mm	H mm	h_1 mm	h_2 mm	α	t/T mm			
3330T-A	33	30	10	7	20	22.7	38	10	13	90°	1.65	19.6	23	1.44
3330T-H	33	30	10	7	20	22.7	30	10	10	70°	1.65	19.6	23	1.29

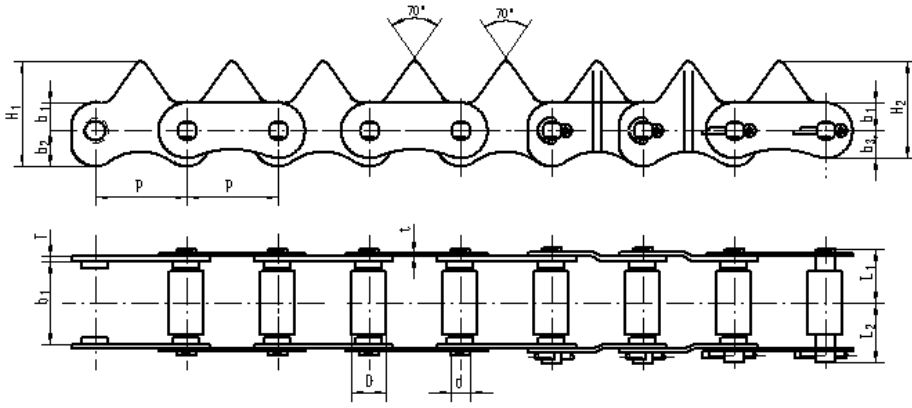


Chain No.	P mm	b_1 (min) mm	D(max) mm										Q(min) kN	Q_0 kN	q kg/m	
				d mm	L_1 mm	L_2 mm	H_1 mm	H_2 mm	H_{M30} mm	h_1 mm	h_2 mm	h_3 mm				t/T mm
3330T-E	33	30	10	7	20.35	23.05	36	43	38	10	16	13	2/1.65	19.6	24.5	1.64
3322T-A	33	22	10	7	16.35	19.05	36	43	38	10	16	13	2/1.65	19.6	24.5	1.52

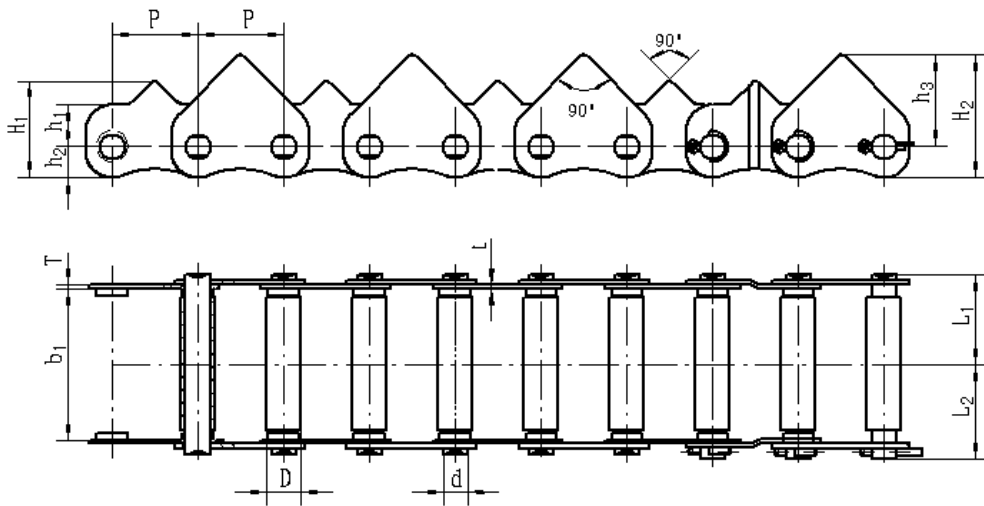
Q_{min} KN = Ultimate tensile strength

Q_0 KN = Average tensile strength

Rice Harvester Chains



Chain No.	P mm	b ₁ (min) mm	D(max) mm										Q(min) kN	Q ₀ kN	q kg/m
				d mm	L ₁ mm	L ₂ mm	H ₁ mm	H ₂ mm	h ₁ mm	h ₂ mm	h ₃ mm	t/T mm			
3330T-F	33	30	12.7	7	19.65	22.35	38	35	10	13	10	1.27/ 1.65	15.7	22.5	1.58
3330T-G	33	30	12.7	7	19.65	22.35	33	30	10	13	10	1.27/ 1.65	15.7	22.5	1.52

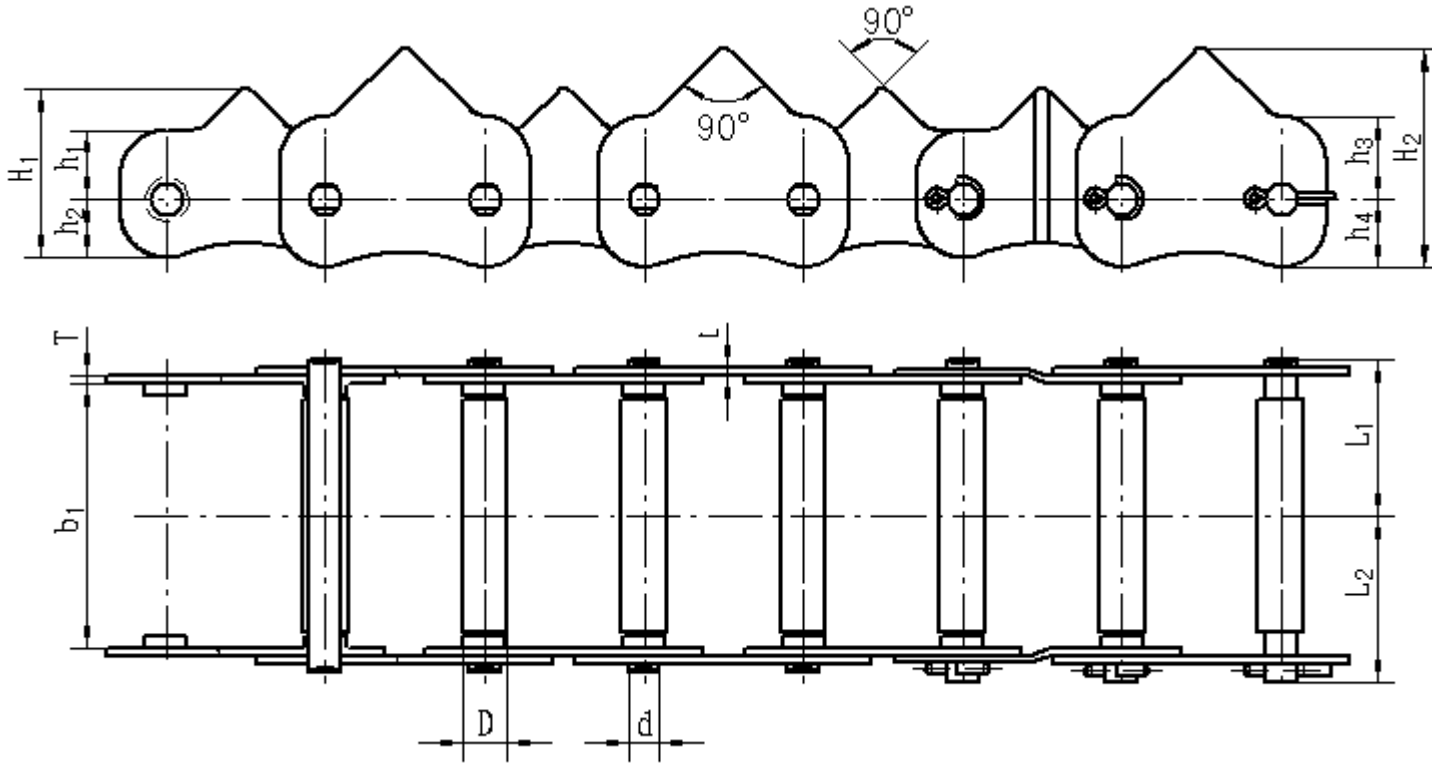


Chain No.	P mm	b ₁ (min) mm	D(max) mm										Q(min) kN	Q ₀ kN	q kg/m
				d mm	L ₁ mm	L ₂ mm	H ₁ mm	H ₂ mm	h ₁ mm	h ₂ mm	h ₃ mm	t/T mm			
D3358 (BC'')	33	58	12.7	9.5	34.7	38.5	38	48	16	12	36	2/ 1.65	24.5	25.8	3.1

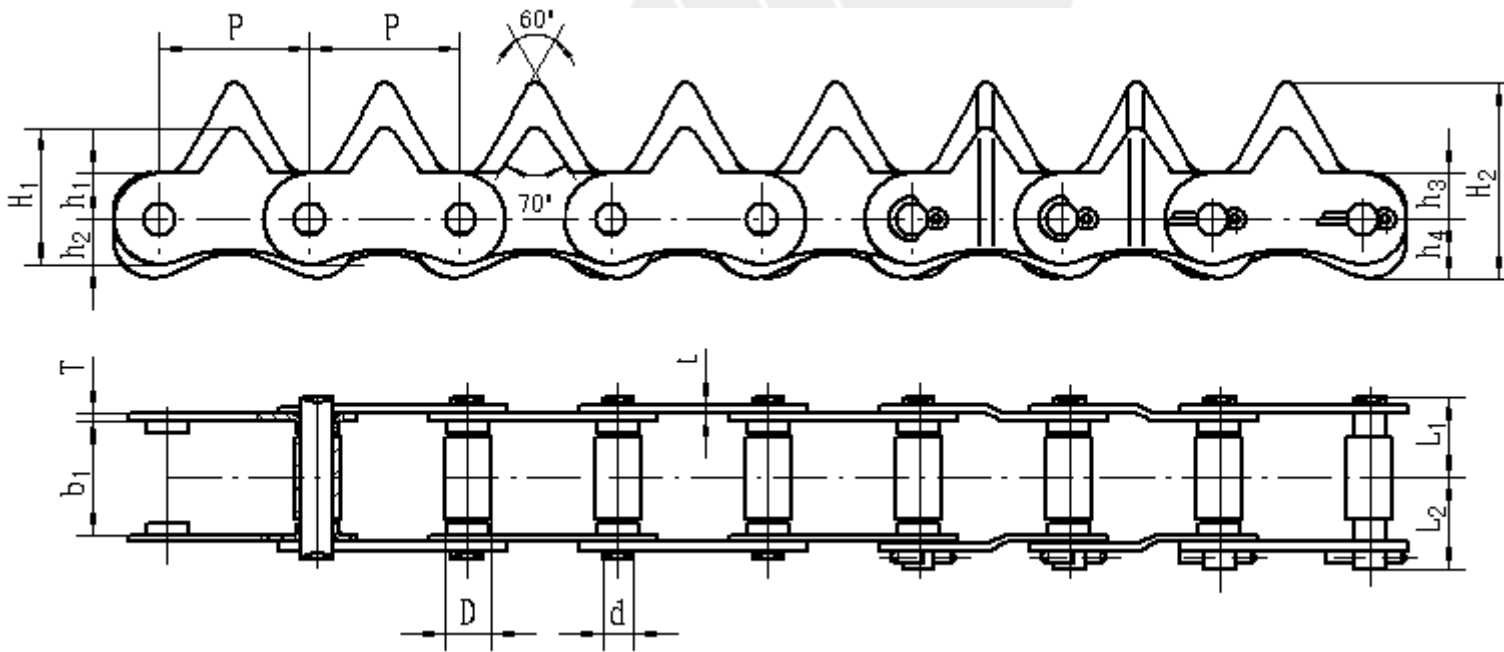
Q_{min} kN = Ultimate tensile strength

Q₀ kN = Average tensile strength

Rice Harvester Chains



Chain No.	P mm	b ₁ (min) mm	D(max) mm											Q(min) kN	Q ₀ kN	q kg/m
				d mm	L ₁ mm	L ₂ mm	H ₁ mm	H ₂ mm	h ₁ mm	h ₂ mm	h ₃ mm	h ₄ mm	t/T mm			
D3558(BC)	35	58	10	7	34.4	37.1	38	48	15	13	18	15	2/1.65	21.5	24.5	2.2



ISO Chain No.	P mm	b ₁ (min) mm	D(max) mm											Q(min) kN	Q ₀ kN	q kg/m
				d mm	L ₁ mm	L ₂ mm	H ₁ mm	H ₂ mm	h ₁ mm	h ₂ mm	h ₃ mm	h ₄ mm	t/T mm			
D3325(AC)	33	25	10	7	17.8	20.7	30	43	10	10	10	13	2/1.65	21.5	24.5	1.41

Q_{min} = Ultimate tensile strength

Q₀ kN = Average tensile strength



HENGJIU