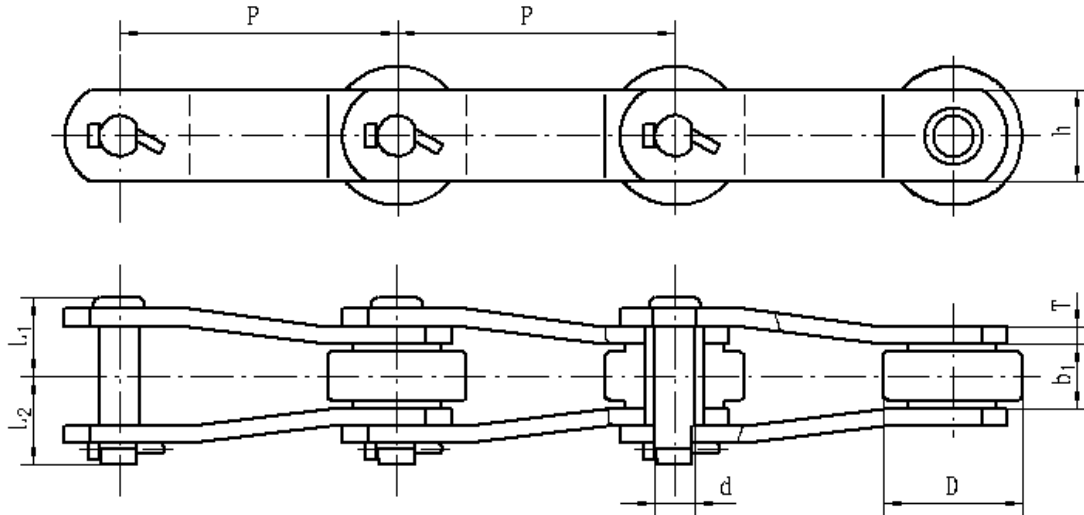


Palm Oil Chains with Bent plate

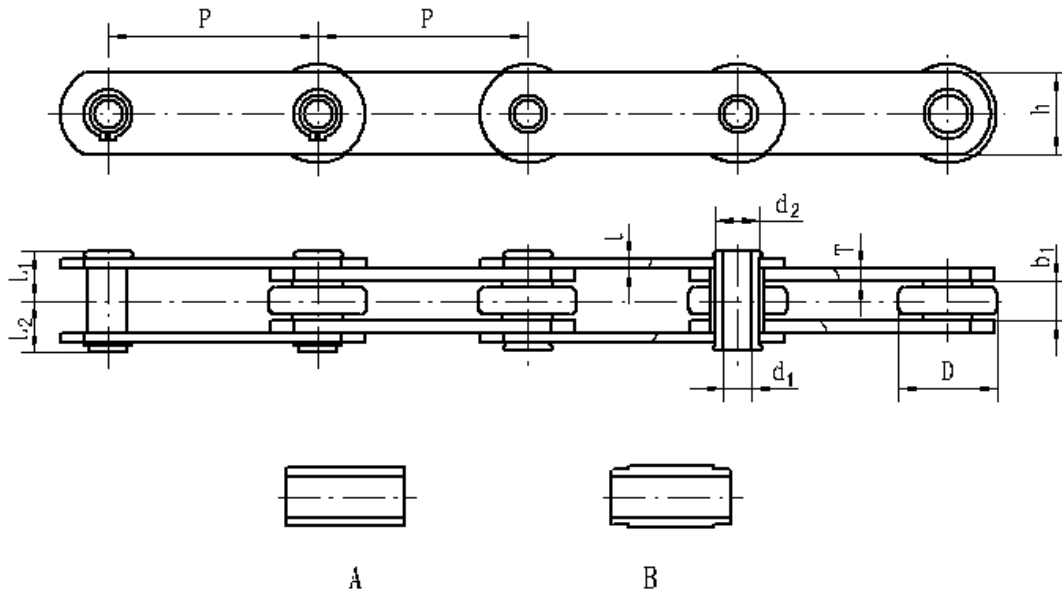


Chain No.	P mm	b ₁ min mm	Dmax mm						Q _{min} kN	Allowable chain pull kN	q kg/m
				d mm	L ₁ mm	L ₂ mm	h mm	T mm			
HS B5029	66.17	28	22.23	11.1	31.7	35.1	28.6	6.4	122.8	8.1	5.41
#HS B5094	101.6	39.8	36.5	15.77	43.3	46.1	44.45	8	180	12.1	11.36
HS B5234	152.4	34.9	76.2	22.3	43.9	53.4	50.8	9.5	355.6	24.9	17.93

Q_{min} KN = Ultimate tensile strength

#Chain: bushed chain with no roller.

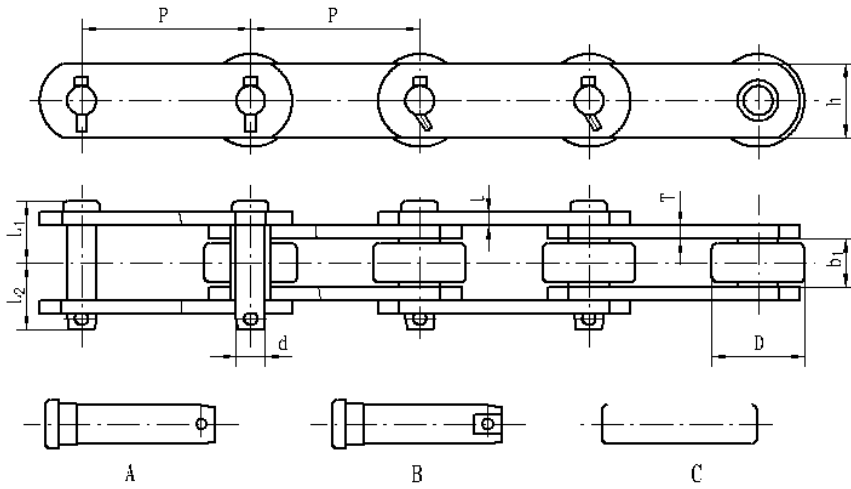
Palm Oil Chains With Hollow Pin Type



Chain No.	P mm	b ₁ (min) mm	D(max) mm	d ₁	d ₂	L ₁	L ₂	Type	h	t/T	Q _{min} kN	Allowable chain pull kN	q kg/m
				mm	mm	mm	mm		mm	mm			
4x15000HP	101.6	18.9	47.63	13.1	19.05	24.2	24.8	A	40	5/6	66.7	4.3	6.92
4x21000HP	101.6	19.05	47.63	13.1	19.05	23	24	B	39.4	5.1	95	6.5	6.56
6x36000HP	152.4	25.4	66.7	20.07	26.9	28.8	29.4	B	50.8	5.1/7.1	200	13	10.02
6x36000HP-N1	152.4	25.4	66.7	20.07	26.9	29.3	31.4	B	50.8	7.1/7.1	200	13	10.75
6x36000HHP	152.4	25.4	66.7	20.07	26.9	30.8	31.6	B	50.8	6.4/7.8	220	13.9	10.86
6x45000HP	203.2	38.1	88.9	22.85	30	40	44.2	A	61	8	280	19.3	17.27

Q_{min} KN = Ultimate tensile strength

Palm Oil Chains with straight plate

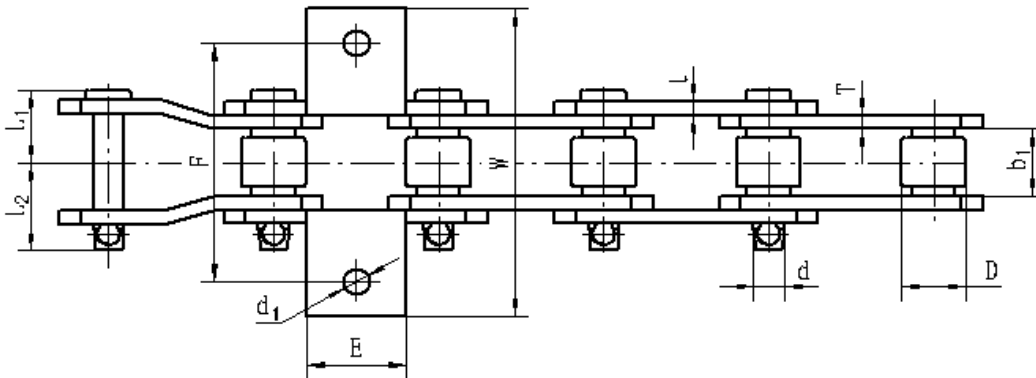
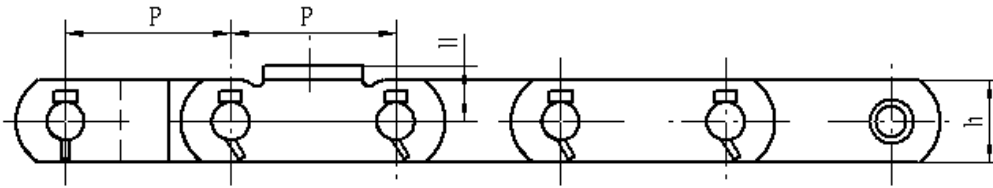


Chain No.	P mm	b _i (min) mm	D(max) mm					h mm	t/T mm	Q _{min} kN	Allowable chain pull kN	q kg/m
				d mm	L ₁ mm	L ₂ mm	Type					
B3076	76.2	15.2	31.75	13.97	21.4	26.6	A	25.8	4	33.4	3.1	3.7
B1016H	101.6	19	47.63	19.05	27.7	34.3	A	38.1	6.4	135	12.6	8.21
B4075	101.6	15.2	31.75	13.97	21.4	26.6	A	25.8	4	33.4	3.1	3.17
PM90R	101.6	22	47.6	11.1	23.5	27.7	B	32	4.5	95	8.9	5.8
PM94R	101.6	30	50.8	14.27	32	36.7	B	38.1	6.4	158	14.4	9.88
PM94RA101.6	101.6	23.5	48	14.27	28.6	33.6	B	38.1	6.4	158	14.4	8.54
K-S150040R-S	101.6	18.4	47.6	11.1	23.6	27.9	B	38.1	4.5/6.4	145.8	13.3	6.87
US90R	101.6	30.1	50.8	11.11	28.4	28.6	B	31.8	4.9	72.3	6.7	7.77
ES90-R20	101.6	21.4	47.6	11.1	25	29.9	B	32	4.9	100	9.2	6.18
ES4P23	101.6	19.05	47.63	19.05	25.2	30.8	A/C	38.1	5.1	95	8.8	7.29
4x15000	101.6	18.9	47.63	19.05	24.5	30.1	C	40	5/6	66.7	6.1	7.44
4x18000	101.6	19	47.6	19	23.2	26.8	A	40	5	80	7.4	6.89
6x30000	152.4	25.4	56.7	26.9	33.9	40.9	A	50.8	6	133	14.6	10.36
B5289	152.4	25	66.8	22.07	30.5	37.1	A	50.8	6.4	178	17.3	11.35
B5257	152.4	36	34.95	17.4	39.7	46.8	B	44.45	8	223	21.8	9.19
B5326H	152.4	19	47.5	19.05	24.9	31.6	A	38.1	5	88.9	8.5	5.78
ES6P36	152.4	25.4	66.7	26.9	37.1	43.9	A	50.8	7.8	215	20.2	13.43
B5305	160	37.8	70	17.48	37.2	43.9	A	50.8	6.4	245	22.8	13.55

Q_{min} KN = Ultimate tensile strength

*Chains: there are two kinds of materials for pin and bushing, which are carbon steel and stainless steel.

Palm Oil Chains With The Other Types

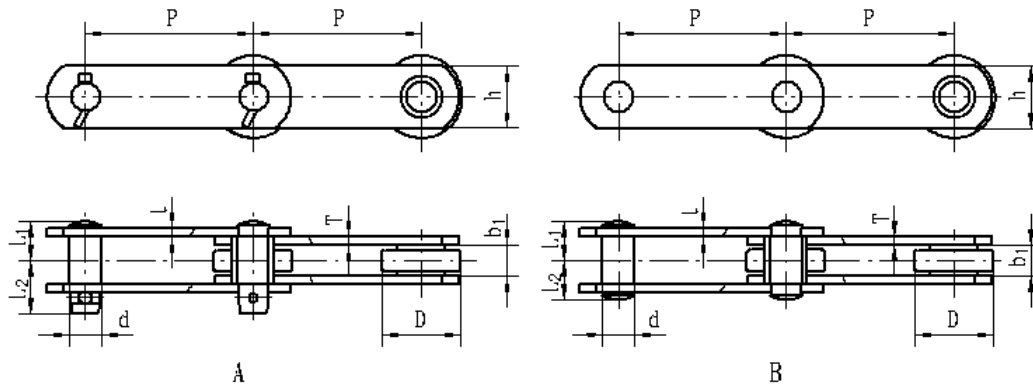


H mm	W mm	F mm	E mm	d_1 mm
25.4	142.35	111.25	46.5	11.94

Chain No.	P mm	b_1 (min) mm	D(max) mm						Qmin kN	Allowable chain pull kN	q kg/m
				d mm	L1 mm	L2 mm	h mm	t/T mm			
HS B9503	76.71	31	30	14.12	33.8	40.8	38.1	6.4	155	14.7	8.76

Q_{min} KN = Ultimate tensile strength

Palm Oil Chains With The Other Types

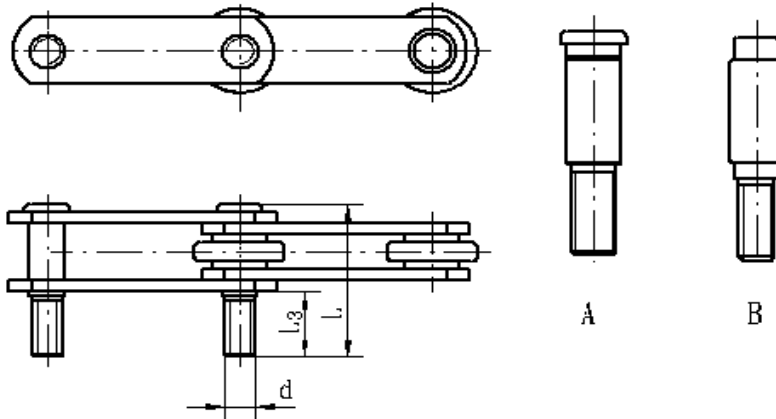


Chain No.	P mm	b ₁ (min) mm	D(max) mm					h mm	t/T mm	Q _{min} kN	Allowable chain pull kN	q kg/m
				d ₁ mm	L ₁ mm	L ₂ mm	Type					
KT818EB	101.6	19.05	47.63	19.05	24.2	30.3	A	38.1	5.1	97.8	11.7	7.1
KE818EB-R	101.6	19.05	47.63	19.05	24.2	24.2	B	38.1	5.1	97.8	11.7	6.96
4x30000	101.6	25.4	66.7	28	28.8	28.8	B	50.8	5.1/7.1	133	13.2	14.07
6x45000	152.4	38.1	88.9	31.8	43	43	B	61	9	200	19.6	32.43

Q_{min} KN = Ultimate tensile strength

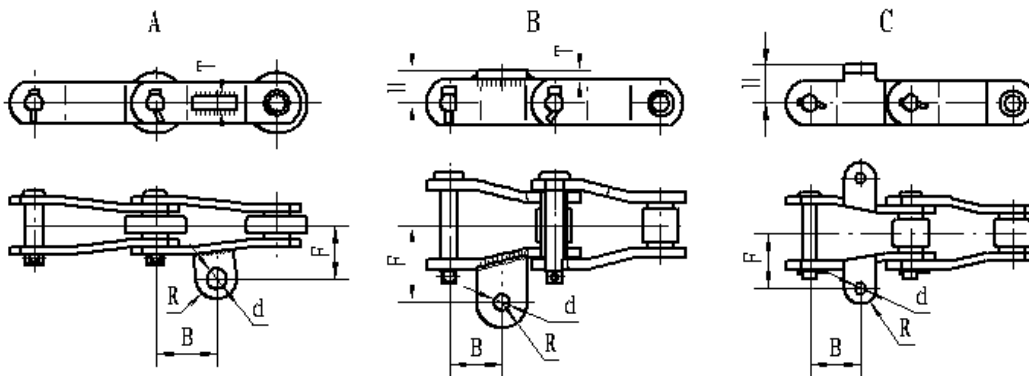
HENGJIU

Palm Oil Chains Attachments



Type SD

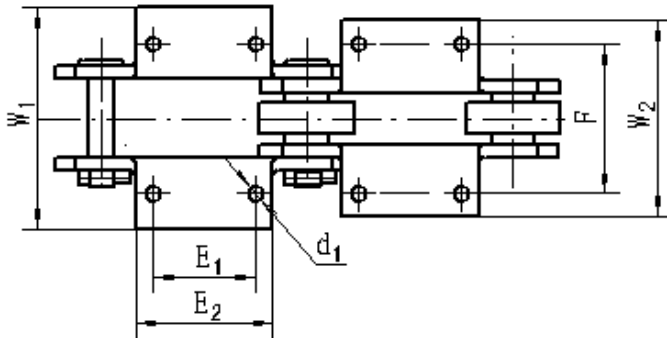
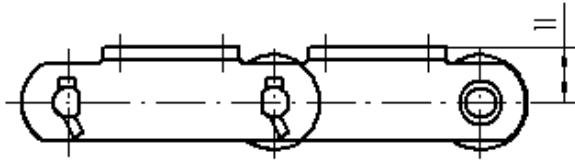
Chains No	L mm	L3 mm	d mm	Type
ES4P23	81.8	36	M16	A
B1016H	86.6	36	M16	A
B5289	96.8	39.7	M20	A
ES6P36	110.5	44	M24	A
6x45000	131.5	50	M27	B



Type AS1

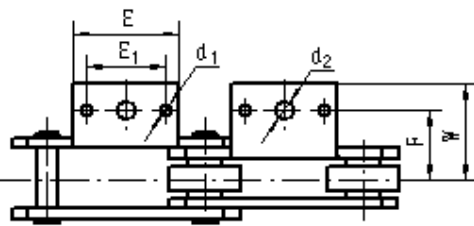
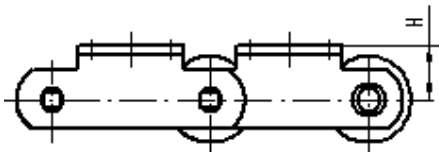
Chain No	H mm	T mm	B mm	F mm	R mm	d mm	Type
B5234	/	15	76.2	66.7	25.4	20.64	A
B5029	20.7	6.4	33.08	48.4	15.875	10	B
B5094	38.1	8	50.8	111.2	15.9	11.12	C

Palm Oil Chains-Attachments



TypeBK24

Chain No	H mm	E1 mm	E2 mm	d1 mm	F mm	W1 mm	W2 mm
B5257	38.1	60	101.6	15	120	187.3	170.2



Type SK3

Chain No	H mm	E1 mm	E mm	d1 mm	d2 mm	F mm	W mm
4x15000	31.75	31.75	67.5	10.71	13.89	44.45	75.8