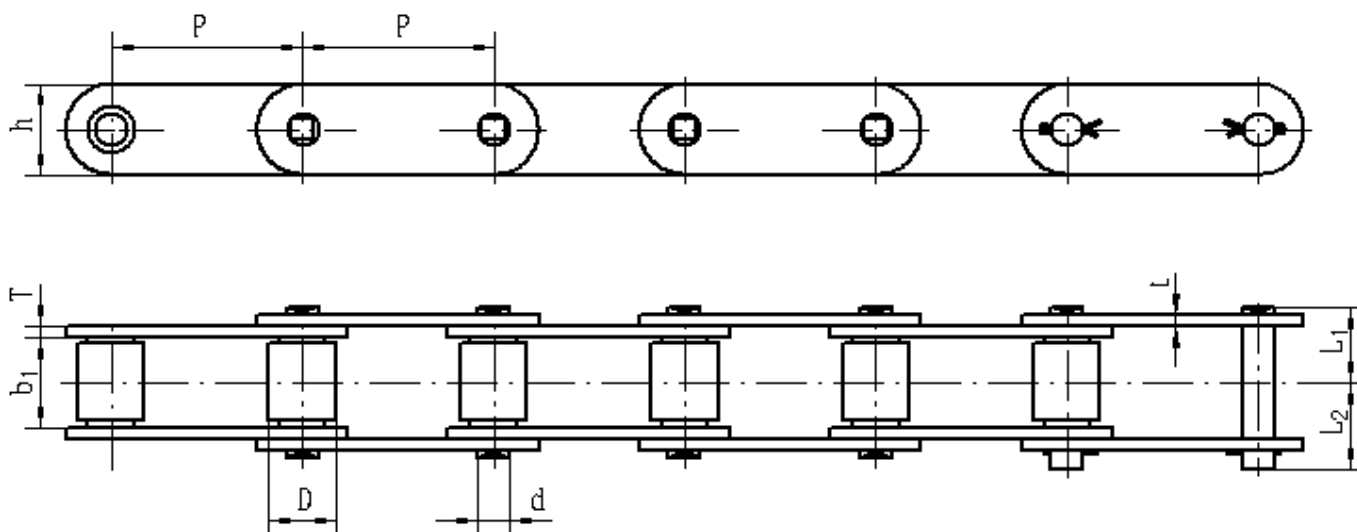


## Lumber Conveyor Chains·81X Series & Attachments



Chain No.	P mm	b <sub>1</sub> (min) mm	D(max) mm						Q <sub>min</sub> kN	Q <sub>0</sub> kN	q kg/m
				d mm	L <sub>1</sub> mm	L <sub>2</sub> mm	h mm	t/T mm			
81X	66.27	26.99	23.02	11.1	24.5	27.8	28.6	4	106.7	128	3.8
81XH	66.27	26.99	23.02	11.1	29.6	32.7	31.4	5.6/7.5	152	175	5.83
81XHH	66.27	26.99	23.02	11.1	31.5	34.8	31.4	7.5	186.7	205	6.47
81XA	66.27	38	23.02	11.1	30.4	33.6	28.6	4	132	145	4.30
81-XH	66.27	26.99	23.02	11.1	30.1	33.2	32.1	5.6/8	152	175	6.11
81-XHH	66.27	27.84	23.02	11.1	32.9	36.2	32.1	8	186.7	205	6.97
81X-KC	66.27	26.99	23.02	11.1	25.13	28.43	28.6	4	98	147	3.82
81XXH	66.27	26.99	23.02	11.1	31.5	34.8	31.4	7.5	152	175	6.47
*81XH-SAS	66.27	26.99	23.02	11.1	29.6	32.7	31.4	5.6/7.5	105	115	5.54
**81XSS	66.27	26.99	23.02	11.1	24.5	27.8	28.6	4	43	47	3.76
**81XHSS	66.27	26.99	23.02	11.1	29.6	32.7	31.4	5.6/7.5	105	115	5.74

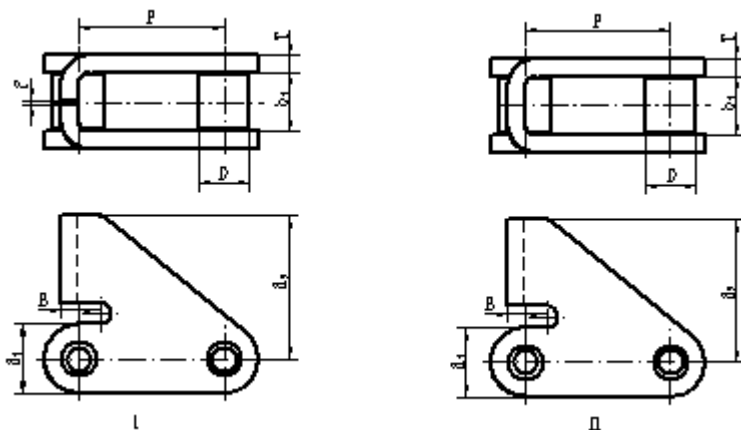
Q<sub>min</sub> KN = Ultimate tensile strength

Q<sub>0</sub> kN = Average tensile strength

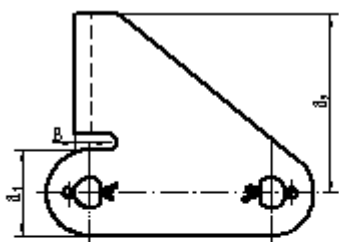
\*Chains: The material of plates is stainless steel

\*\*Chains: The material of all component parts is stainless steel

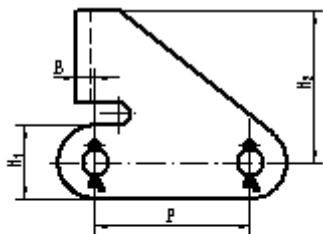
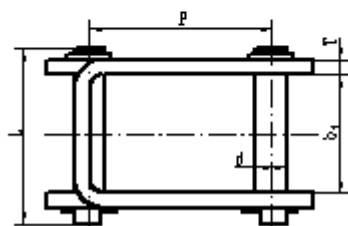
## Lumber Conveyor Chains·81X Series & Attachments



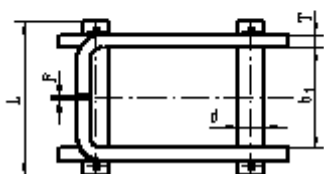
Chain No.	P mm	b <sub>i</sub> (min) mm	B mm	D(max) mm	F mm	H <sub>1</sub> mm	H <sub>2</sub> mm	T mm	Type
81X·PUSHER	66.27	26.99	5.5	23.02	1.5	28.6	65.1	4	I
81-XH PUSHER	66.27	26.99	8	23.02	1.5	31.4	65.1	8	I
81X·PUSHER-B	66.27	26.99	5.5	23.02	/	28.6	65.1	4	II



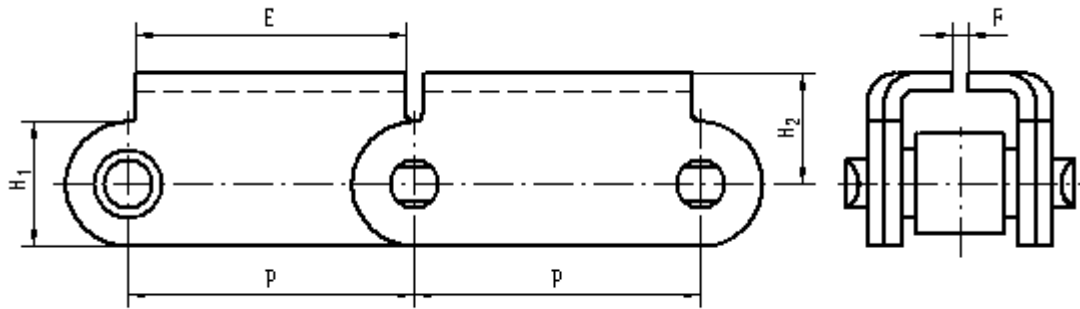
Chain No.	P mm	b <sub>i</sub> (min) mm	B mm	d mm	H <sub>1</sub> mm	H <sub>2</sub> mm	T mm	L mm
81X·PUSHER-A	66.27	35.6	5.5	11.11	28.6	65.1	4	53.9



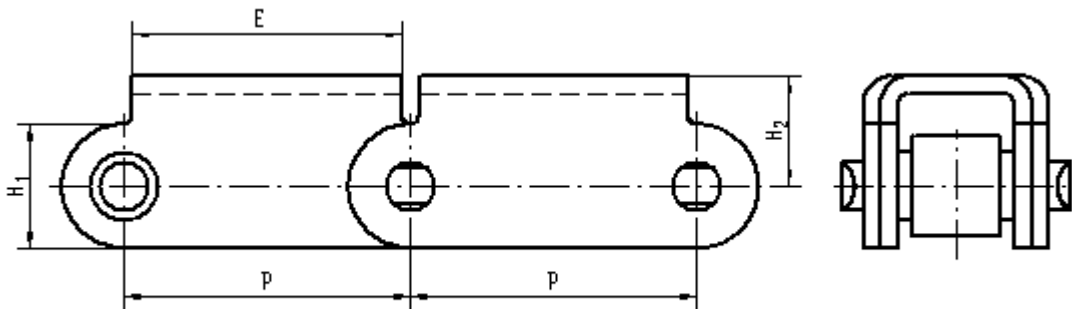
Chain No.	P mm	b <sub>i</sub> (min) mm	B mm	d mm	F mm	H <sub>1</sub> mm	H <sub>2</sub> mm	L mm	T mm
81-XH PUSHER	66.27	43.6	8	11.1	1.5	31.4	65.1	66.8	5.6



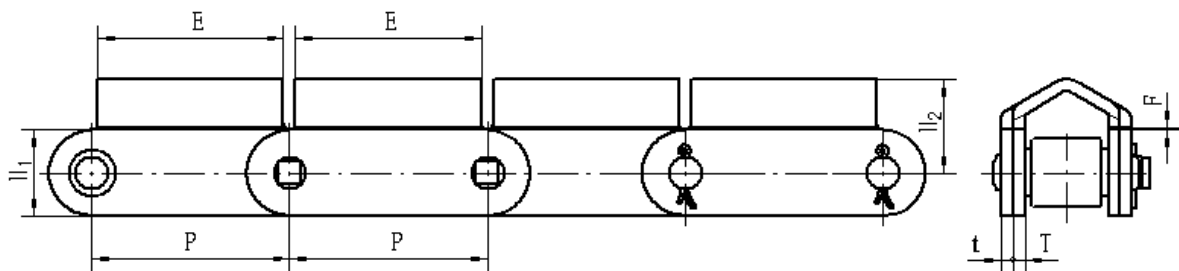
## Lumber Conveyor Chains·81X Series & Attachments



Chain No.	P mm	E mm	F mm	H <sub>1</sub> mm	H <sub>2</sub> mm
81X-RT	66.27	63.5	1.3	28.6	25.4

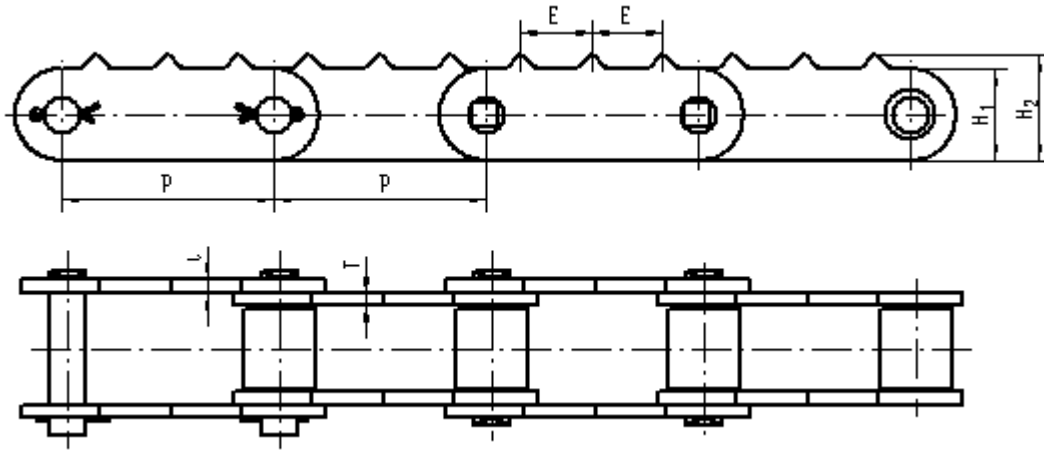


Chain No.	P mm	E mm	H <sub>1</sub> mm	H <sub>2</sub> mm
81X-RTA	66.27	63.5	28.6	25.4

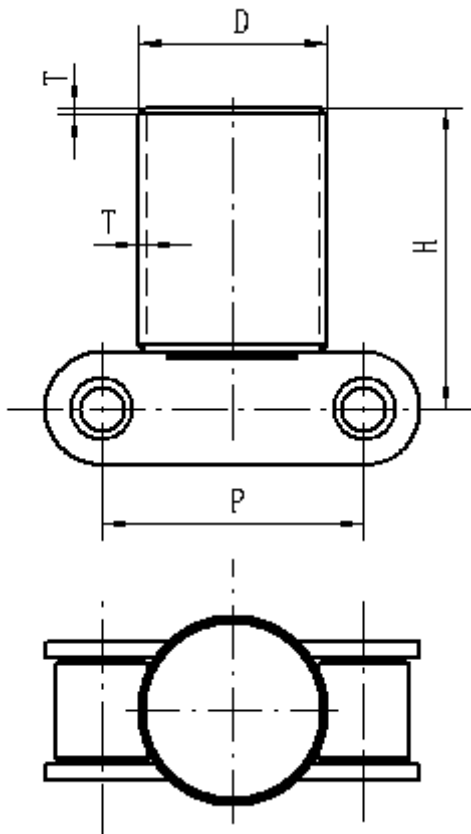


Chain No.	P mm	E mm	F mm	t/T mm	H <sub>1</sub> mm	H <sub>2</sub> mm
81XA-RT	66.27	63.5	0.5	4	28.6	31.75

## Lumber Conveyor Chains·81X Series & Attachments

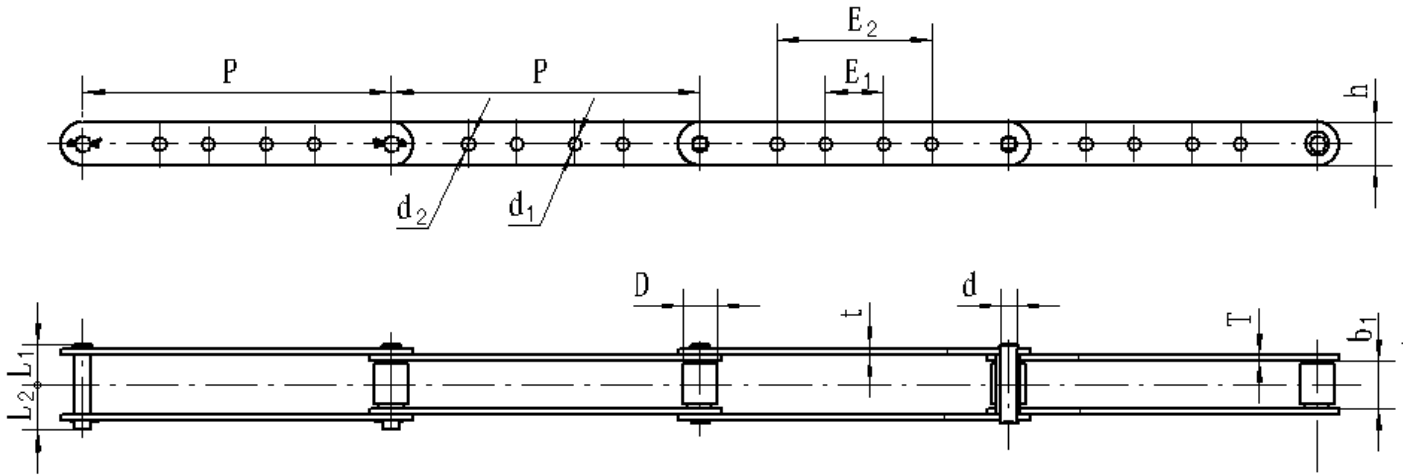


Chain No.	P mm	E mm	t/T mm	H <sub>1</sub> mm	H <sub>2</sub> mm
81X-STD	66.27	22.23	4	28.6	33.35



Chain No.	P mm	D mm	H mm	T mm
81X-RS·12P	66.27	48	114.3	2

## Lumber Conveyor Chains· 3939 Series



Chain No.	P mm	b <sub>1</sub> (min) mm	D(max) mm										Q <sub>min</sub> kN	Q <sub>0</sub> kN	q kg/m
				d mm	L <sub>1</sub> mm	L <sub>2</sub> mm	h mm	d <sub>1</sub> mm	d <sub>2</sub> mm	E <sub>1</sub> mm	E <sub>2</sub> mm	t/T mm			
3939	203.2	26.99	23.02	11.1	24.5	27.8	28.6	6.35	/	38.1	/	4	122.25	134	2.41
D3939-B21	203.2	26.99	23.02	11.1	24.5	27.8	28.6	7.14	/	38.1	/	4	122.25	134	2.41
D3939-B4	203.2	26.99	23.02	11.1	24.5	27.8	28.6	7.14	7.14	38.1	101.6	4	122.25	134	2.38
D3939-B43	203.2	26.99	23.02	11.1	24.5	27.8	28.6	7.14	10.3	38.1	92.1	4	122.25	134	2.35
D3939S-B4	203.2	26.99	22.23	11.1	29.3	32.6	28.6	7.14	7.14	38.1	101.6	6.4	152.00	167	3.53
S3939H-B4	203.2	26.99	23.02	11.1	29.6	32.7	28.6	7.14	7.14	38.1	101.6	5.6/ 7.5	152.00	167	3.61
S3939H-B43	203.2	26.99	23.02	11.1	29.6	32.7	28.6	7.14	10.3	38.1	92.1	5.6/ 7.5	152.00	167	3.57
81X8P-ELA	203.2	26.99	23.02	11.1	24.5	27.8	28.6	/	10.3	/	101.6	4	122.25	134	2.40

Q<sub>min</sub> KN = Ultimate tensile strength

Q<sub>0</sub> kN = Average tensile strength