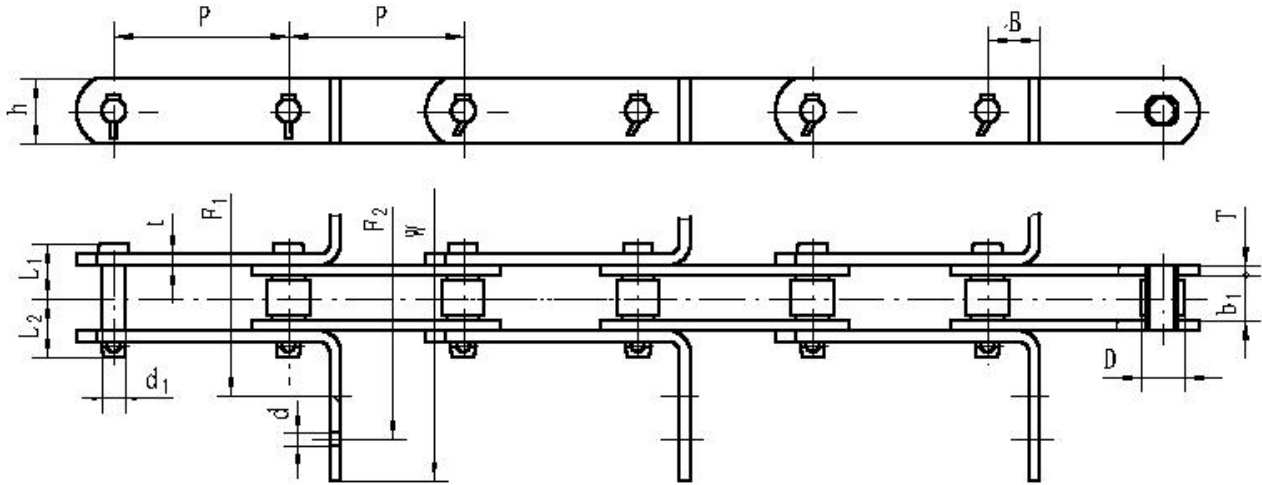


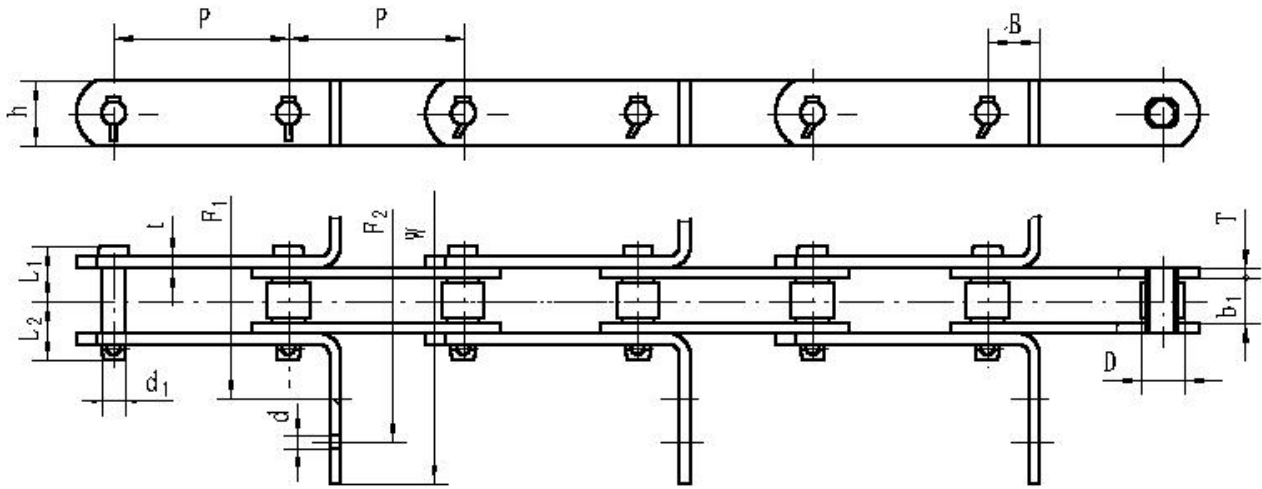
Grain Machine Chains



Chain No.	F1 mm	F2 mm	W mm	D mm	B mm
LS75	85	135	160	9	34.5
LS75	110	230	280	11	34.5
LS75	130	300	350	11	34.5
LS80	105	195	225	6.3	36
LS100A	93	153	183	6.3	36
LS101.6	192	336	480	8	50.8
HPT125	/	/	560	/	40
HPT125A	/	/	550	/	40
LS125	120	240	280	9	40
LS125A	100	180	220	9	40
LS125B	120	240	290	9	40
LS125C	105	195	225	6.3	40
LS125D	110	/	160	9	25
LS125F	140	240	280	11	40

Chain No.	P mm	b 1(min) mm	D(max) mm	Pin			Sidebar		Fu(min) kN	q kg/m
				d 1 mm	L1 mm	L2 mm	h mm	t/T mm		
LS75	75	26	30	14	26.5	31	40	5	157	/
LS80	80	27	25	12.5	26.9	33.1	38	5	80	7.64
LS100A	100	27	28	14	29	35	40	6	80	8.03
LS101.6	101.6	30	45	18	36.7	42.7	48	8	160	12.3
HPT125	125	52	40	20	52.1	58.9	55	10	310	24.75
HPT125A	125	60	54	20	51.9	59.1	55	8	310	27.23
LS125	125	32	36	20	33.7	40.7	56	6	300	12.21
LS125A	125	32	36	20	33.7	40.7	56	6	197	11.56
LS125B	125	32	36	20	33.7	40.7	56	6	197	12.31
LS125C	125	33	30	17	32.4	36.4	40	6	160	7.92
LS125D	125	28	50	15	27.5	31.5	35	5	80	7.62
LS125F	125	36	36	20	39.6	46.8	55	8	310	15.48

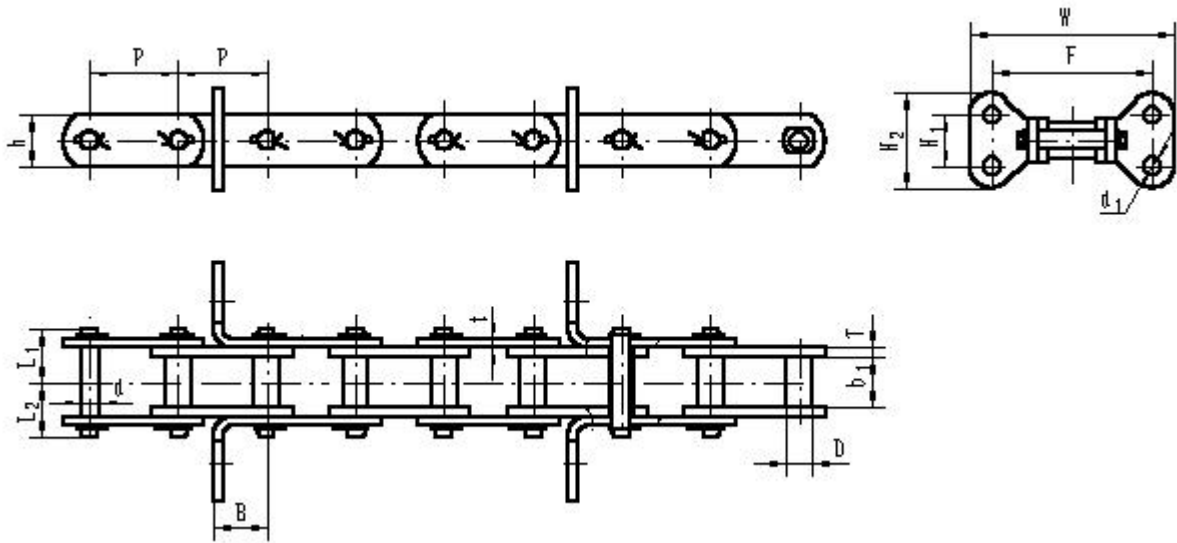
Grain Machine Chains



Chain No	F1 mm	F2 mm	F3 mm	W mm	d mm	B mm
LS160	/	/	/	470	/	45
LS160A	/	/	/	580	/	45
LS160B	180	300	/	360	9	48
LS160C	120	190	/	240	13	84
LS160C-N1	140	250	/	300	13	84
LS160C-N2	140	250	/	300	13	64
LS160D	176	296	/	370	9	48
LS160E	190	370	/	470	9	48
LS160F	180	360	540	600	9	48
LS160G	180	300	/	470	13	48
LS160H	112	180	/	226	8.5	84

Chain No.	P mm	b 1(min) mm	D(max) mm	Pin			Sidebar		Fu(min) kN	q kg/m
				d 1 mm	L1 mm	L2 mm	h mm	t/T mm		
LS160	160	52	40	20	50.8	58.2	55	10	378	20.2
LS160A	160	52	40	20	50.8	58.2	55	10	378	21.69
LS160B	160	45	39.3	22	45.7	51.3	60	8	470	16.87
LS160C	160	36.8	36	18	40.1	46.1	48	8	160	11.05
LS160C-N1	160	36.8	36	18	40.1	46.1	48	8	160	11.65
LS160C-N2	160	36.8	36	18	40.1	46.1	48	8	160	11.28
LS160D	160	45	39.3	22	41.7	47.3	60	6	352	13.43
LS160E	160	45	39.3	22	41.7	47.3	60	6	352	14.3
LS160F	160	45	39.3	22	45.7	51.3	60	8	470	19.68
LS160G	160	42	42	22	47.2	52.8	60	10/9	480	21.4
LS160H	160	33.8	35	18	38.5	44.5	48	8	160	11.95

Grain Machine Chains



Chain No	F mm	W mm	H1 mm	H2 mm	d1 mm	B mm
P66.5	102	130	32	60	10.1	31.8
P66.68-F4	101.5	127	32	60	10	32

Chain No.	Pitch P mm	Width between sidebars b 1(min) mm	Bush diameter D(max) mm	Pin			Sidebar		Ultimate tensile strength Q(min) kN	Weight per meter q kg/m
				d mm	L 1 mm	L2 mm	h mm	t/T mm		
P66.5	66.5	26.99	22	15.88	37.6	42.4	38.1	8/9.5	266.7	10.7
P66.68-F4	66.68	27	22.3	12.6	33.5	33.5	30	6	85	6.07