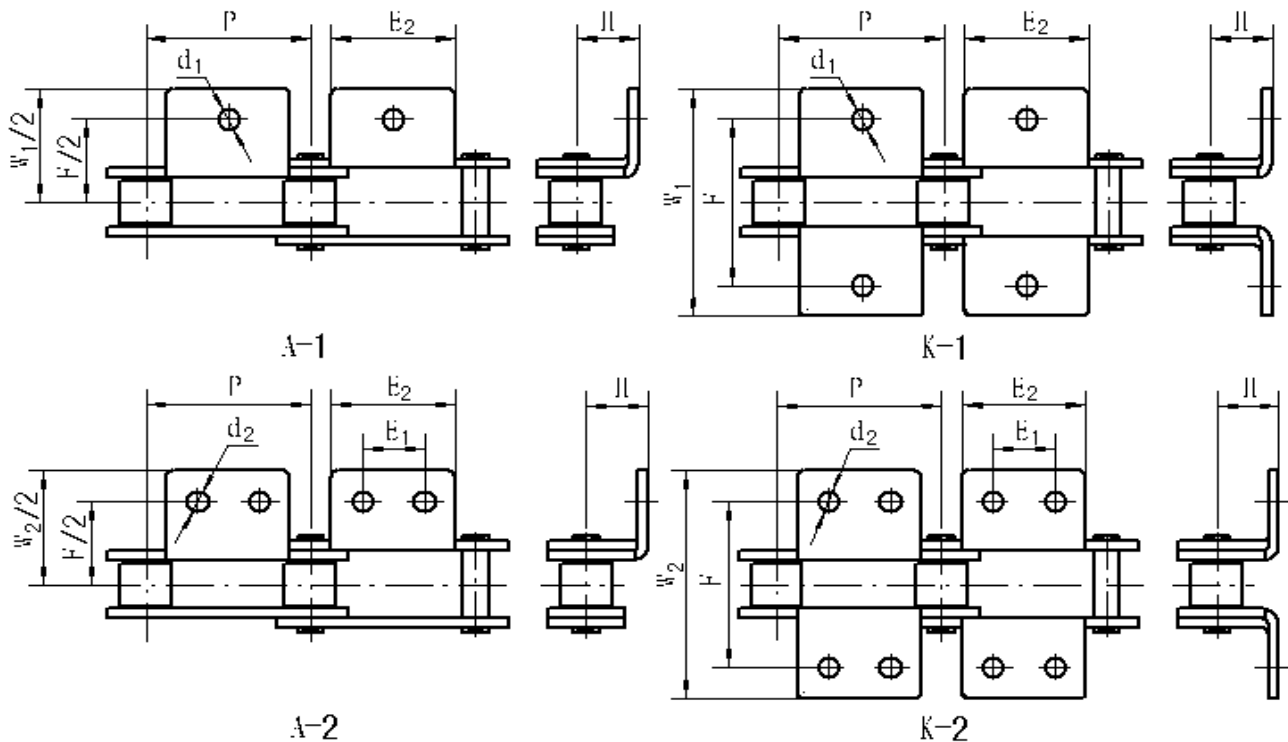
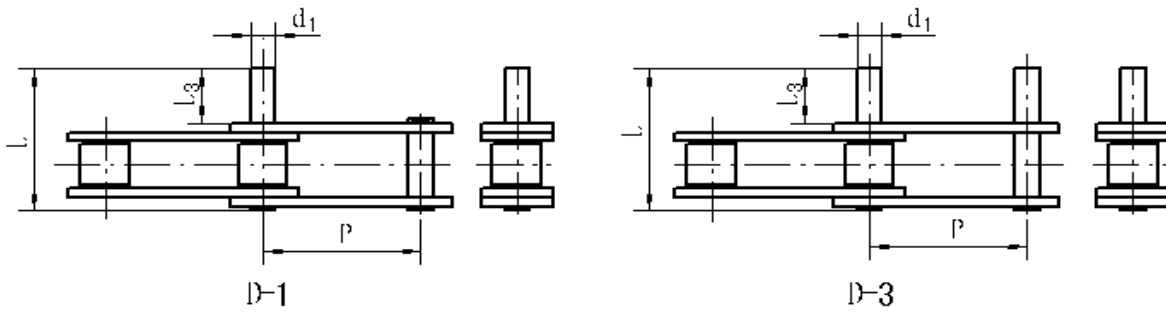


## Double Pitch Roller Chains-Attachments



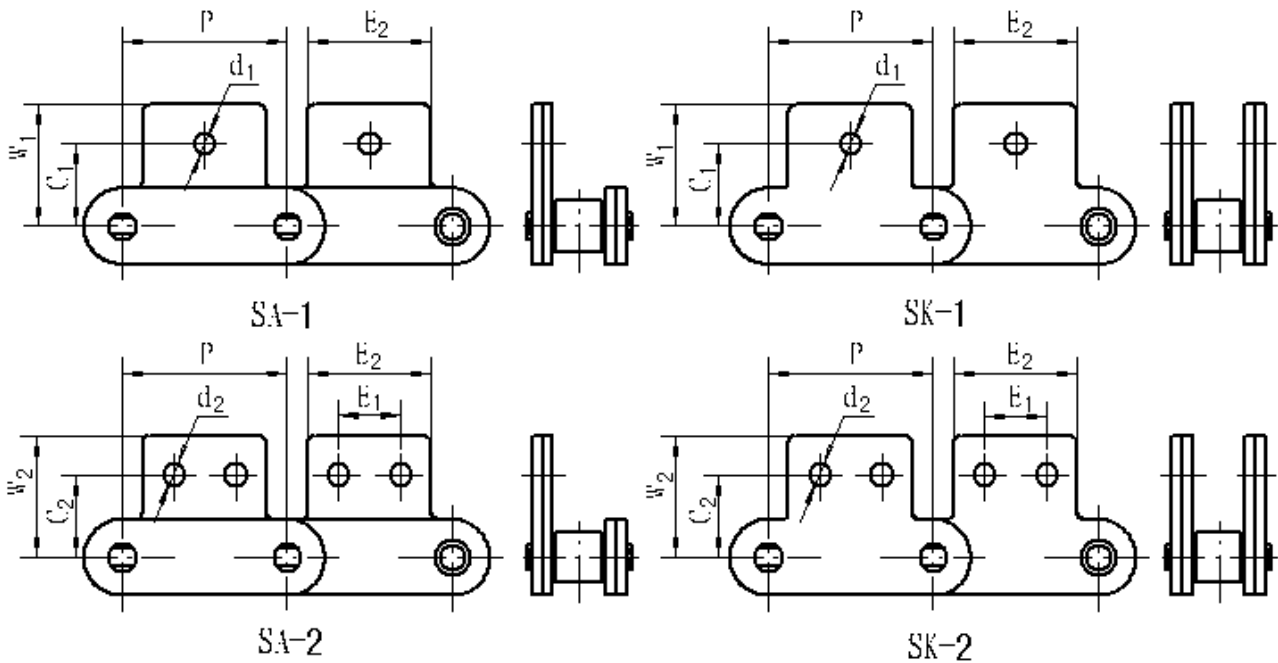
DIN/ISO Chain No.	ANSI Chain No.	P mm	W <sub>1</sub> mm	W <sub>2</sub> mm	F mm	E <sub>1</sub> mm	E <sub>2</sub> mm	d <sub>1</sub> mm	d <sub>2</sub> mm	H mm
C208A C208AL	C2040 C2042	25.4	39.6	39.6	25.4	9.5	19.1	3.6	3.6	9.1
C208AHC208AHL										
C2040H C2042H	25.4	39.6	39.6	25.4	9.5	19.1	3.6	3.6	9.1	
C208B C208BL	/	25.4	39.6	38.6	25.4	12.7	24	4.5	4.5	9.1
C210A C210AL	C2050 C2052	31.75	48.4	48.4	31.8	11.9	24	5.5	5.2	11.1
C210AH C210AHL	C2050H C2052H	31.75	48.4	48.4	31.8	11.9	24	5.5	5.2	11.1
C212A C212AL	C2060 C2062	38.1	61.06	61.06	42.86	14.3	28.6	5.2	5.2	14.7
C212AH C212AHL	C2060H C2062H	38.1	61.06	61.06	42.86	14.3	28.6	5.5	5.2	14.7
C216A C216AL	C2080 C2082	50.8	76.2	76.2	55.6	19.1	38.1	6.8	6.8	19.1
C216AH C216AHL	C2080H C2082H	50.8	79.4	79.4	55.6	19.1	38.1	6.8	6.8	19.1
C220A C220AL	C2100 C2102	63.5	98.4	98	66.6	23.8	47.5	8.8	9.5	23.4
C220AH C220AHL	C2100H C2102H	63.5	98.4	98	66.6	23.8	47.5	8.8	9.5	23.4
C224A C224AL	C2120 C2122	76.2	118.3	118.3	79.3	28.6	57.1	11	11	27.8
C224AH C224AHL	C2120H C2122H	76.2	118.3	118.3	79.3	28.6	57.1	11	11	27.8

## Double Pitch Roller Chains-Attachments



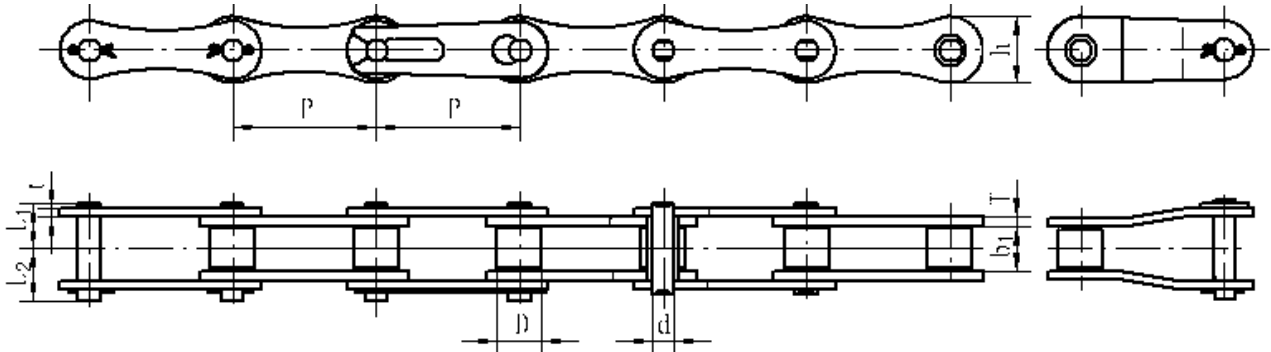
DIN/ISO Chain No.	ANSI Chain No.	P mm	L mm	L <sub>3</sub> mm	d <sub>1</sub> mm
C208A C208AL	C2040 C2042	25.4	25	9.5	3.96
C208AHC208AHL					
C2040H C2042H	25.4	26.9	9.5	3.96	
C208B C208BL	/	25.4	28.6	12.7	4.45
C210A C210AL	C2050 C2052	31.75	31.2	11.9	5.08
C210AH C210AHL	C2050H C2052H	31.75	32.8	11.9	5.08
C212A C212AL	C2060 C2062	38.1	38.3	14.3	5.94
C212AH C212AHL	C2060H C2062H	38.1	41.6	14.3	5.94
C216A C216AL	C2080 C2082	50.8	50.2	19.1	7.92
C216AH C216AHL	C2080H C2082H	50.8	53.2	19.1	7.92
C220A C220AL	C2100 C2102	63.5	61.5	23.8	9.52
C220AH C220AHL	C2100H C2102H	63.5	65	23.8	9.52
C224A C224AL	C2120 C2122	76.2	76.4	28.6	11.1
C224AH C224AHL	C2120H C2122H	76.2	79.4	28.6	11.1
C232A C232AL	C2160 C2162	101.6	99.3	38.1	14.27
C232AH C232AHL	C2160H C2162H	101.6	102.7	38.1	14.27

## Double Pitch Roller Chains-Attachments



DIN/ISO Chain No.	ANSI Chain No.	Pitch P mm	W <sub>1</sub> mm	W <sub>2</sub> mm	C <sub>1</sub> mm	C <sub>2</sub> mm	E <sub>1</sub> mm	E <sub>2</sub> mm	d <sub>1</sub> mm	d <sub>2</sub> mm
C208A C208AL	C2040 C2042	25.4	19.4	19.4	11.1	13.5	9.5	19	3.6	3.6
C208AHC208AHL										
C2040H C2042H	25.4	19.4	19.4	11.1	13.5	9.5	19	3.6	3.6	
C208B C208BL	/	25.4	19.8	19.8	11.1	13.2	12.7	24	4.5	4.5
C210A C210AL	C2050 C2052	31.75	24.6	25	14.3	15.9	11.9	23.8	6.35	5.2
C210AH C210AHL	C2050H C2052H	31.75	24.6	25	14.3	15.9	11.9	23.8	6.35	5.2
C212A C212AL	C2060 C2062	38.1	30.1	29.8	17.5	19.05	14.3	28.6	8.33	5.2
C212AH C212AHL	C2060H C2062H	38.1	30.1	29.8	17.5	19.05	14.3	28.6	8.33	5.2
C216A C216AL	C2080 C2082	50.8	37.4	37.4	22.2	25.5	19.05	38.1	11.0	6.8
C216AH C216AHL	C2080H C2082H	50.8	37.4	37.4	22.2	25.5	19.05	38.1	11.0	6.8
C220A C220AL	C2100 C2102	63.5	47.8	47.8	28.6	31.8	23.8	47.5	13.1	8.2
C220AH C220AHL	C2100H C2102H	63.5	47.8	47.8	28.6	31.8	23.8	47.5	13.1	8.2
C224A C224AL	C2120 C2122	76.2	63	63	33.3	37.3	28.6	57	15.0	10.5
C224AH C224AHL	C2120H C2122H	76.2	63	63	33.3	37.3	28.6	57	15.0	10.5

## Transmission Double Pitch Roller Chains



DIN/ISO Chain No.	ANSI Chain No.	P mm	b <sub>1</sub> (min) mm	D (max) mm						Q <sub>min</sub> kN	Q <sub>0</sub> kN	q kg/m
					d mm	L <sub>1</sub> mm	L <sub>2</sub> mm	h mm	t/T mm			
208A	2040	25.4	7.85	7.92	3.96	8.3	9.6	12	1.52	13.8	18	0.43
208B	/	25.4	7.75	8.51	4.45	8.5	9.9	11.8	1.65	17.8	20.5	0.49
210A	2050	31.75	9.4	10.16	5.08	10.25	11.85	15	2	21.8	31	0.70
210B	/	31.75	9.65	10.16	5.08	9.6	10.9	14.6	1.65	22.2	27.5	0.63
212A	2060	38.1	12.57	11.91	5.94	12.65	14.35	18	2.4	31.1	42	1.02
212B	/	38.1	11.68	12.07	5.72	11	12.4	16	1.8	28.9	32.5	0.78
216A	2080	50.8	15.75	15.88	7.92	16.2	17.9	23.5	3.2	55.6	70.2	1.76
220A	2100	63.5	18.9	19.05	9.52	19.8	23.3	30	4	86.7	115	2.55
224A	2120	76.2	25.22	22.23	11.1	25	28.3	35.8	4.9	124.6	170	4.06

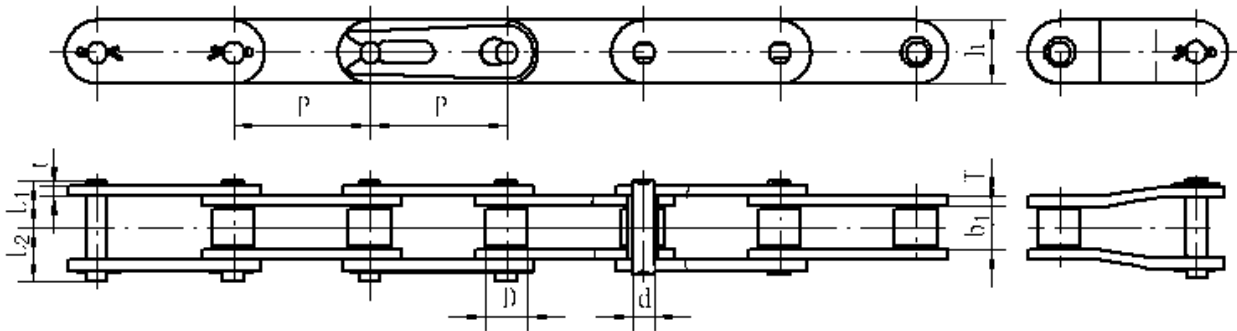
Q<sub>min</sub> kN = Ultimate tensile strength

Q<sub>0</sub> kN = Average tensile strength

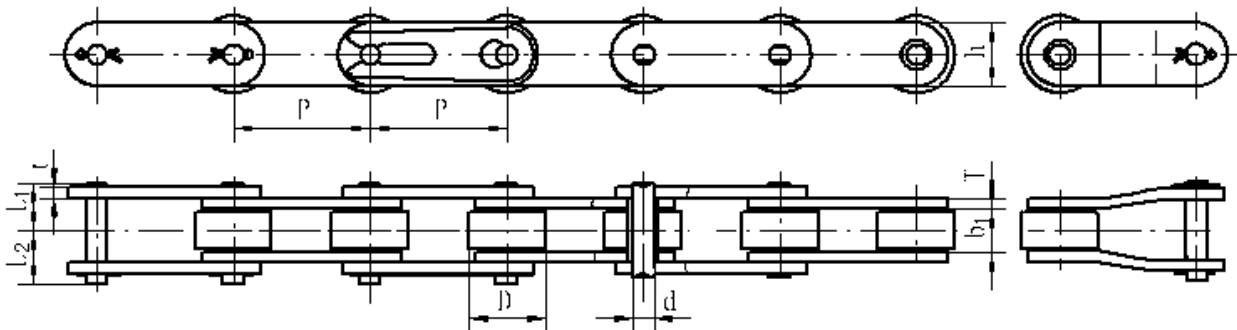
Connecting Type: The series less than 2060 (including 2060) is preferred for spring clip type;  
The series larger than 2080 (including 2080) is preferred for cottered type.

## Conveyor Double Pitch Roller Chains

### Standard Roller Type



### Oversize Roller Type



DIN/ISO Chain No.	ANSI Chain No.	Pitch P mm	b <sub>1</sub> (min) mm	D (max) mm						Q <sub>min</sub> kN	Q <sub>0</sub> kN	q kg/m
					d mm	L <sub>1</sub> mm	L <sub>2</sub> mm	h mm	t/T mm			
C208AH	C2040H	25.4	7.85	7.92	3.96	9.25	10.55	12	2	13.8	18	0.64
C208AHL	C2042H	25.4	7.85	15.88	3.96	9.25	10.55	12	2	13.8	18	0.98
C210AH	C2050H	31.75	9.4	10.16	5.08	11.05	12.45	15	2.4	21.8	31	0.96
C210AHL	C2052H	31.75	9.4	19.05	5.08	11.05	12.45	15	2.4	21.8	31	1.41
C212AH	C2060H	38.1	12.57	11.91	5.94	14.3	15.7	18	3.2	31.1	42	1.52
C212AHL	C2062H	38.1	12.57	22.23	5.94	14.3	15.7	18	3.2	31.1	42	2.22
C216AH	C2080H	50.8	15.75	15.88	7.92	17.85	19.25	23.5	4	55.6	70.2	2.53
C216AHL	C2082H	50.8	15.75	28.58	7.92	17.85	19.25	23.5	4	55.6	70.2	3.58
C220AH	C2100H	63.5	18.9	19.05	9.52	21.55	25.05	30	4.9	86.7	115	3.82
C220AHL	C2102H	63.5	18.9	39.67	9.52	21.55	25.05	30	4.9	86.7	115	5.96
C224AH	C2120H	76.2	25.22	22.23	11.1	26.5	29.9	35.8	5.6	124.6	170	5.40
C224AHL	C2122H	76.2	25.22	44.45	11.1	26.5	29.9	35.8	5.6	124.6	170	8.33
C232AH	C2160H	101.6	31.55	28.56	14.27	33.75	37.65	48	7.2	222.4	290	9.08
C232AHL	C2162H	101.6	31.55	57.15	14.27	33.75	37.65	48	7.2	222.4	290	13.69

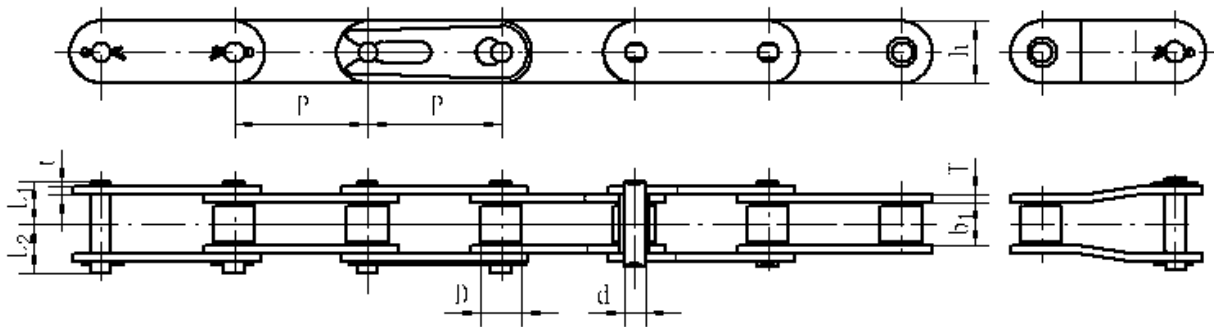
Q<sub>min</sub> kN = Ultimate tensile strength

Q<sub>0</sub> kN = Average tensile strength

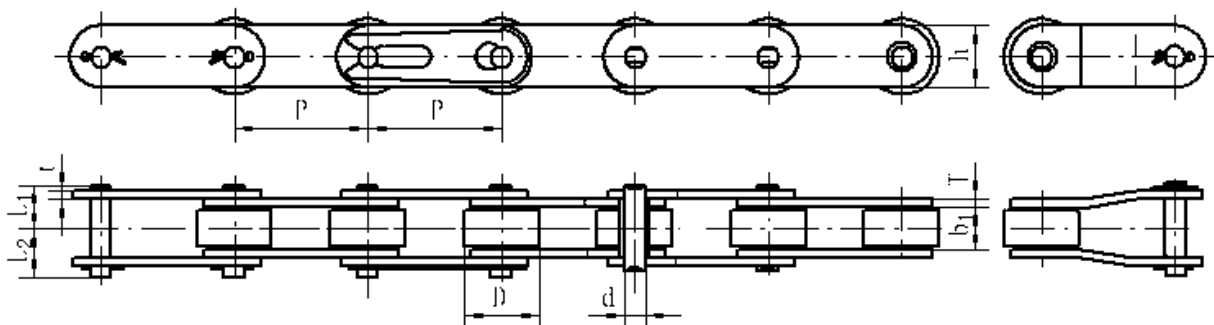
Connecting Type: 1. The series less than C2060H (including C2060H) is preferred for spring clip type;  
2. The series larger than C2080H (including C2080H) is preferred for cottered type.

## Conveyor Double Pitch Roller Chains

Standard Roller Type



Oversize Roller Type



DIN/ISO Chain No.	ANSI Chain No.	P mm	$b_1$ (min) mm	D (max) mm						$Q_{min}$ kN	$Q_0$ kN	q kg/m
					d mm	$L_1$ mm	$L_2$ mm	h mm	t/T mm			
C208A	C2040	25.4	7.85	7.92	3.96	8.3	9.6	12	1.52	13.8	18	0.52
C208AL	C2042	25.4	7.85	15.88	3.96	8.3	9.6	12	1.52	13.8	18	0.88
C208B	/	25.4	7.75	8.51	4.45	8.5	9.9	11.8	1.65	17.8	20.5	0.57
C208BL	/	25.4	7.75	15.88	4.45	8.5	9.9	11.8	1.65	17.8	20.5	0.90
C210A	C2050	31.75	9.4	10.16	5.08	10.25	11.85	15	2	21.8	31	0.84
C210AL	C2052	31.75	9.4	19.05	5.08	10.25	11.85	15	2	21.8	31	1.31
C212A	C2060	38.1	12.57	11.91	5.94	12.65	14.35	18	2.4	31.1	42	1.23
C212AL	C2062	38.1	12.57	22.23	5.94	12.65	14.35	18	2.4	31.1	42	1.93
C216A	C2080	50.8	15.75	15.88	7.92	16.2	17.9	23.5	3.2	55.6	70.2	2.13
C216AL	C2082	50.8	15.75	28.58	7.92	16.2	17.9	23.5	3.2	55.6	70.2	3.14
C220A	C2100	63.5	18.9	19.05	9.52	19.8	23.3	30	4	86.7	115	3.26
C220AL	C2102	63.5	18.9	39.67	9.52	19.8	23.3	30	4	86.7	115	5.40
C224A	C2120	76.2	25.22	22.23	11.1	25	28.3	35.8	4.9	124.6	170	4.78
C224AL	C2122	76.2	25.22	44.45	11.1	25	28.3	35.8	4.9	124.6	170	7.78
C232A	C2160	101.6	31.55	28.58	14.27	32.05	35.75	48	6.4	222.4	290	8.25
C232AL	C2162	101.6	31.55	57.15	14.27	32.05	35.75	48	6.4	222.4	290	12.85

$Q_{min}$  kN = Ultimate tensile strength

$Q_0$  kN = Average tensile strength

Connecting Type: 1. The series less than C2060 (including C2060) is preferred for spring clip type;

2. The series larger than C2080 (including C2080) is preferred for cottered type.