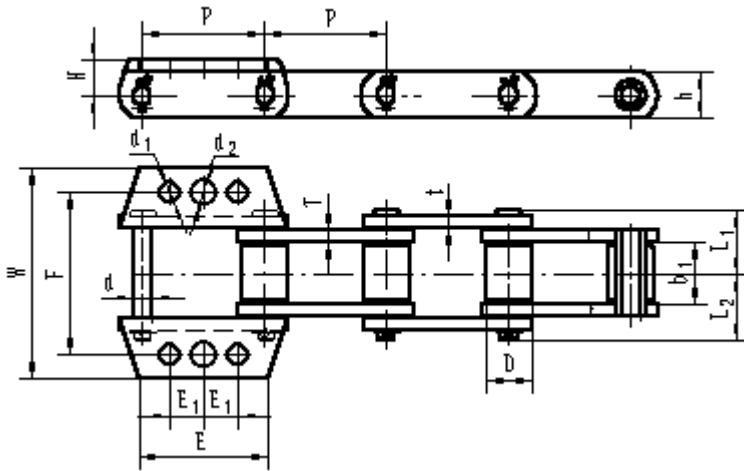


## Paver Chains



F	W	E 1	E	d 1	d 2	H
mm	mm	mm	mm	mm	mm	mm
134.9	174.6	28.6	108	16.66	20.63	28.6

Chain No.	P mm	b <sub>1</sub> (min) mm	D(max) mm						Q(min) kN	Rated working load kN
				d mm	L <sub>1</sub> mm	L <sub>2</sub> mm	h mm	t/T mm		
3433-K33	101.6	52.83	38.1	15.74	52.3	56.7	38.1	9.5	190	17.1

Chain No.	F mm	W mm	E 1 mm	E mm	d 1 mm	H mm
B9856-K44	184.15	237.2	63.5	175.5	20.63	47.63
RMC15128	184.2	244.5	63.5	178.5	20.6	47.65

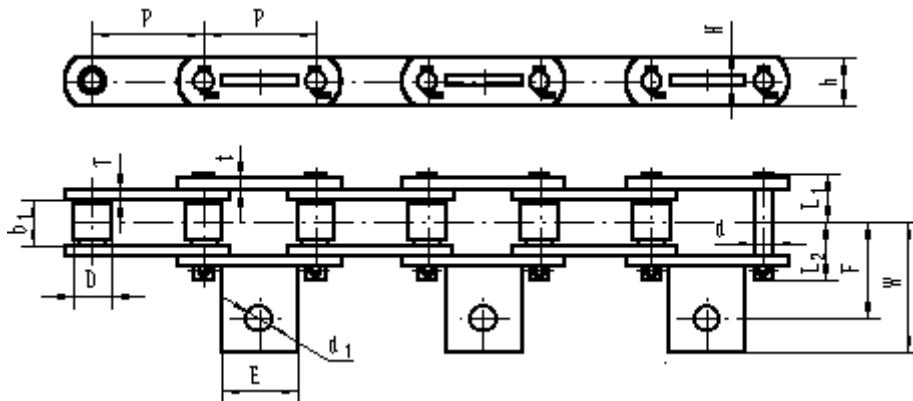
Chain No.	P mm	b <sub>1</sub> (min) mm	D(max) mm						Q(min) kN	Rated working load kN
				d mm	L <sub>1</sub> mm	L <sub>2</sub> mm	h mm	t/T mm		
B9856-K44	152.4	74.93	69.85	25.3	72.2	82.7	63.5	12.7	500	55
RMC15128	152.4	76.2	69.85	25.4	71.3	77.7	63.5	12.7	622.3	88.9

Q<sub>min</sub> KN = Ultimate tensile strength

## Paver Chains

Chain No.	H 1 mm	H 2 mm	E 1 mm	E mm
C9856	117.47	69.84	20.6	165.1
9856-M2	117	85.7	20.6	167.8
RMC15126	120.65	73	20.6	165.1
RMC15517	63.55	33.55	12.5	88.9
RMC15759	60.35	34.95	12.8	92
RMC15491-1	79.35	47.6	16.76	114.3

Chain No.	F mm	W mm	d 1 mm	E mm	H mm
SGR-188	43.5	58.4	6.3	31.8	6.4
RMC15352	37.8	53.7	8.7	31.8	6.4
RMC15310	63.5	80	16	45	6.4

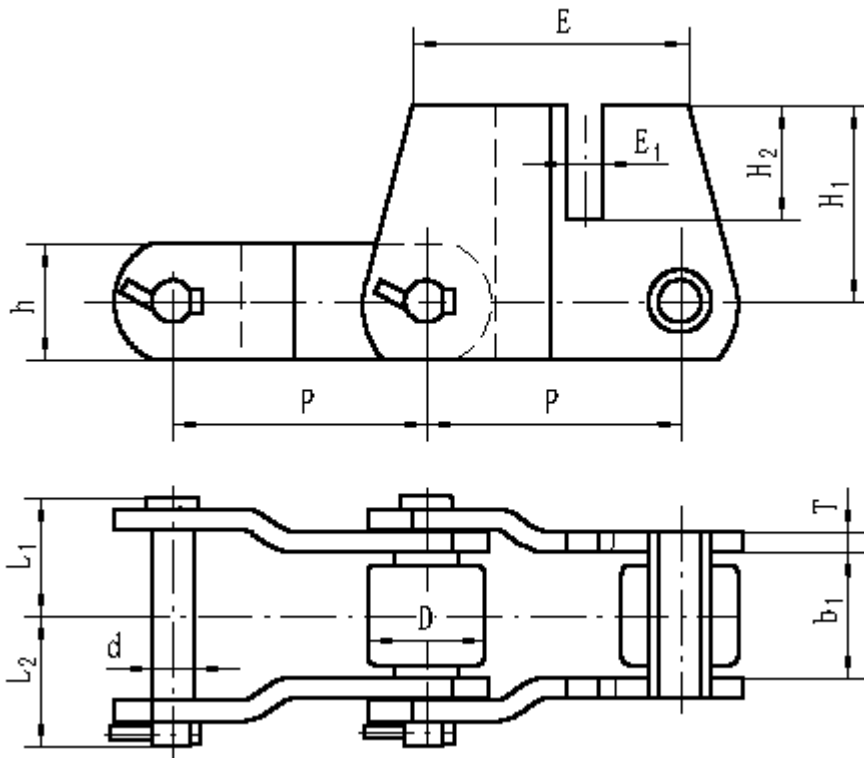


Chain No.	P mm	b 1(min) mm	D(max) mm						Q(min) kN	Rated working load kN	q kg/m
				d mm	L 1 mm	L2 mm	h mm	t/T mm			
C9856-M2	152.4	74.93	69.85	25.3	72.6	82.3	69.85	12.7	622	49.8	44.35
9856-M2	152.4	76.2	69.85	25.4	73.4	80.6	70	12.7	622.3	50	44.95
RMC15126	152.4	76.2	69.85	25.4	71.3	77.7	63.5	12.7	622.3	50	43.0
RMC15517	78.1	37.8	31.75	15.88	44.5	48.9	38.1	9.5	266.7	24	13.52
RMC15759	78.1	37.8	31.75	15.88	47.7	52.1	44.5	9.5/ 12.7	266.7	29	16.98
RMC15491-1	101.6	50.4	38.1	19.05	57.4	63.6	44.5	12.7	355.6	32	22.5

Chain No.	P mm	b 1(min) mm	D(max) mm						Q(min) kN	Rated working load kN
				d mm	L 1 mm	L2 mm	h mm	t/T mm		
SGR-188	66.27	26.8	22.23	11.1	28.8	33.6	28.6	6.4	124.6	10
RMC15352	57.15	26.99	22.23	11.1	24.5	28.5	23.8	4	49.2	4.4
RMC15310	66.27	26.8	22.23	11.1	28.8	33.6	28.6	6.4	124.6	11.2

Q<sub>min</sub> KN = Ultimate tensile strength

## Paver Chain

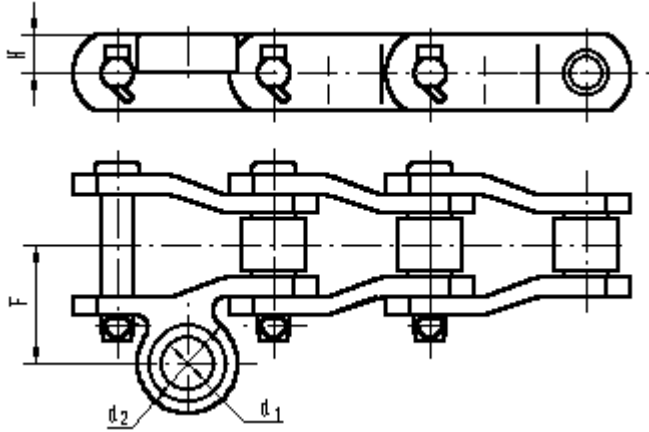


H 1 mm	H 2 mm	E 1 mm	E mm
117.47	69.84	20.6	165

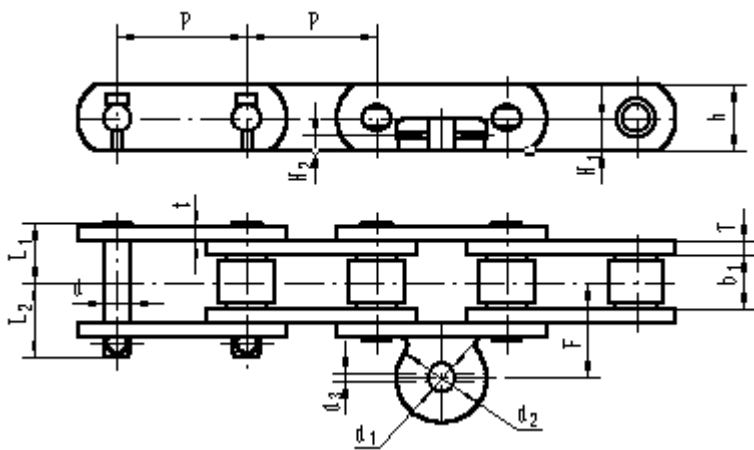
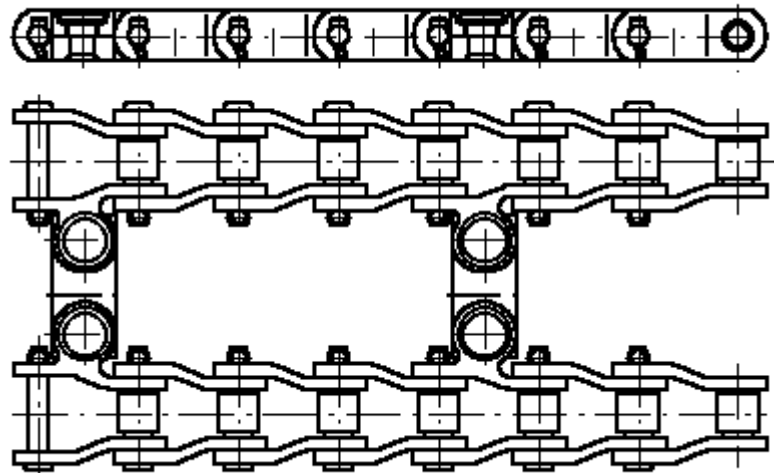
Chain No.	P mm	b 1(min) mm	D(max) mm						Q <sub>min</sub> kN	Rated working load kN	q kg/m
				d mm	L 1 mm	L2 mm	h mm	T mm			
HPT9856-M2	152.4	74.93	69.85	25.4	70.8	78.6	69.85	12.7	596	47.7	44.24

Q<sub>min</sub> KN = Ultimate tensile strength

### Paver Chains



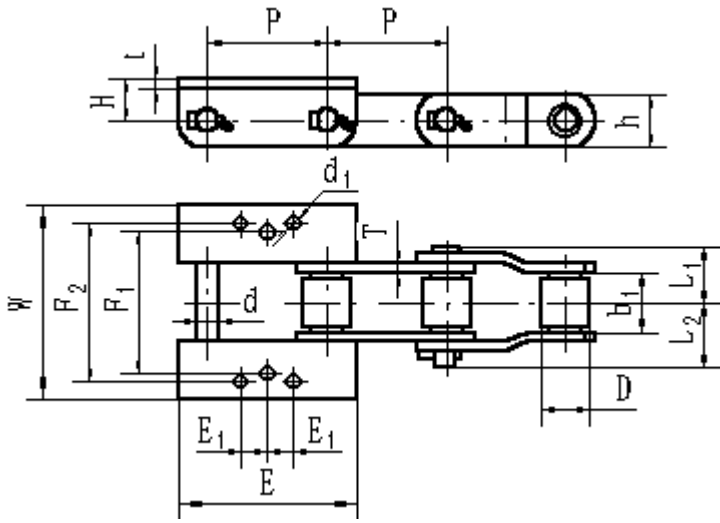
SS40SL



HR7513-SL

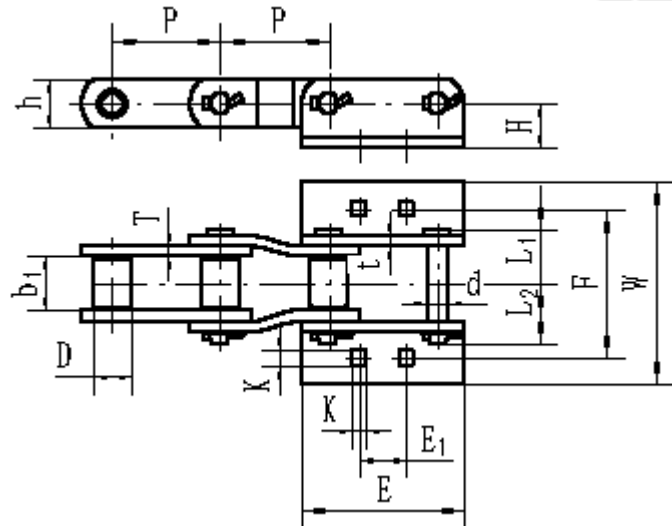


## Paver Chains



Chain No.	F1 mm	F2 mm	W mm	E mm	E 1 mm	d 1 mm	H mm
RMC15127	119.1	134.9	165.1	152.4	22.25	11.9	38.1
4116SP	120.65	134.92	177.8	155.6	22.25	11.1	41.3

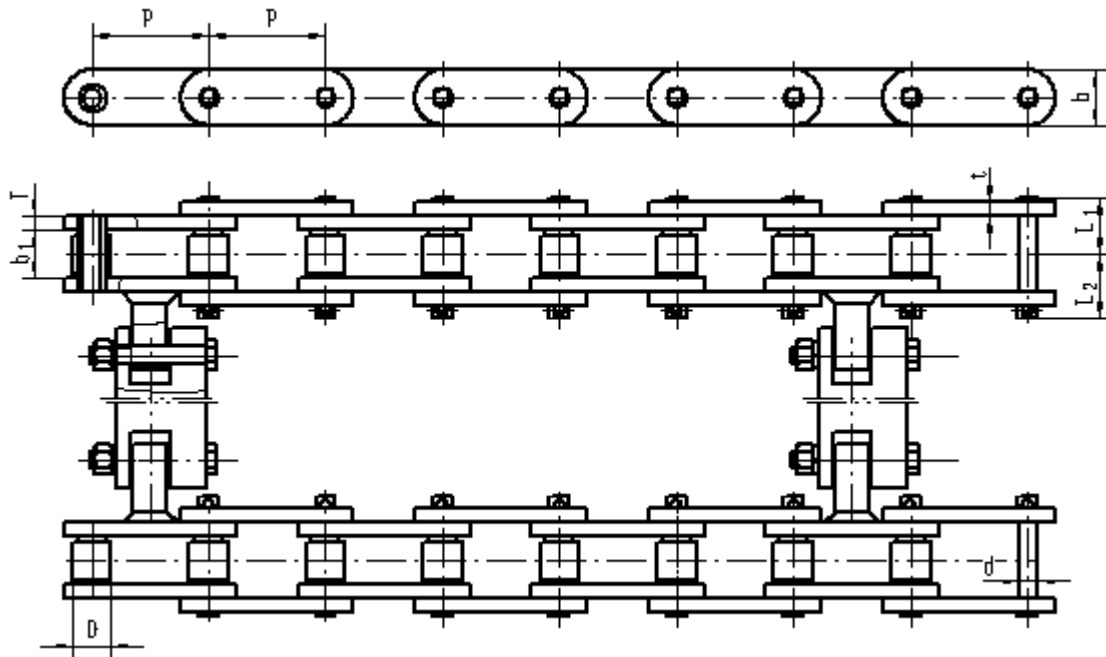
Chain No.	Pitch P mm	Width between sidebars b 1(min) mm	Roller diameter D(max) mm	Pin			Sidebar		Ultimate tensile strength Q(min) kN	Rated working load kN
				d mm	L 1 mm	L2 mm	h mm	t/T mm		
RMC15127	101.6	50.8	41.25	19.05	46.1	54.9	44.5	8	266.8	22.7
4116SP	104.55	50.4	41.28	19.05	50.9	59.1	44.5	9.5	267	25.4



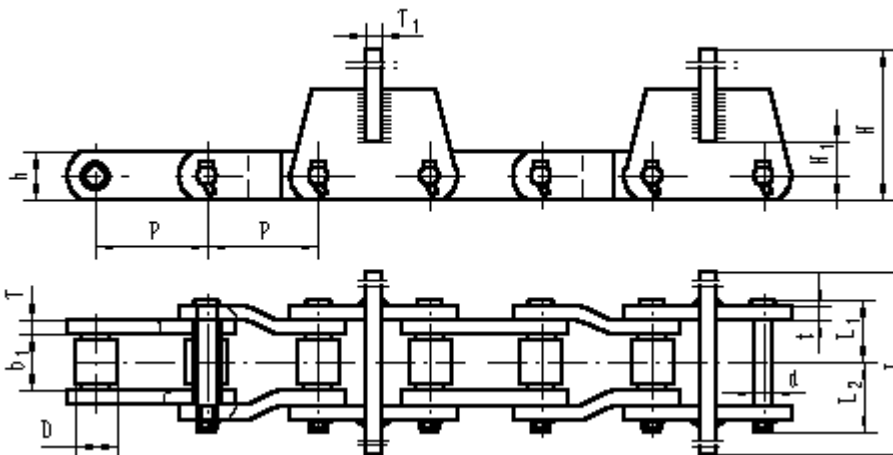
Chain No.	F mm	W mm	K mm	E 1 mm	E mm	H mm
RMC15619	139.7	190.5	13.5	44.45	152.4	41.3
C3952	139.7	177.8	13.5	44.45	152.4	41.3

Chain No.	Pitch P mm	Width between sidebars b 1(min) mm	Roller diameter D(max) mm	Pin			Sidebar		Ultimate tensile strength Q(min) kN	Rated working load kN
				d mm	L 1 mm	L2 mm	h mm	t/T mm		
RMC15619	101.6	50.4	36.53	19.05	50.9	57.1	44.5	9.5	280	23.8
C3952	101.6	50.4	36.53	19.05	50.9	59.1	44.5	9.5	280	23.8

## Paver Chains



Chain No.	Pitch P mm	b 1(min) mm	D(max) mm				h mm	t/T mm	Q(min) kN	Rated working load kN
				d mm	L 1 mm	L2 mm				
RMC15739	66.27	26.99	22.23	11.1	31.4	34.9	31.4	7.5	373.4	29.9

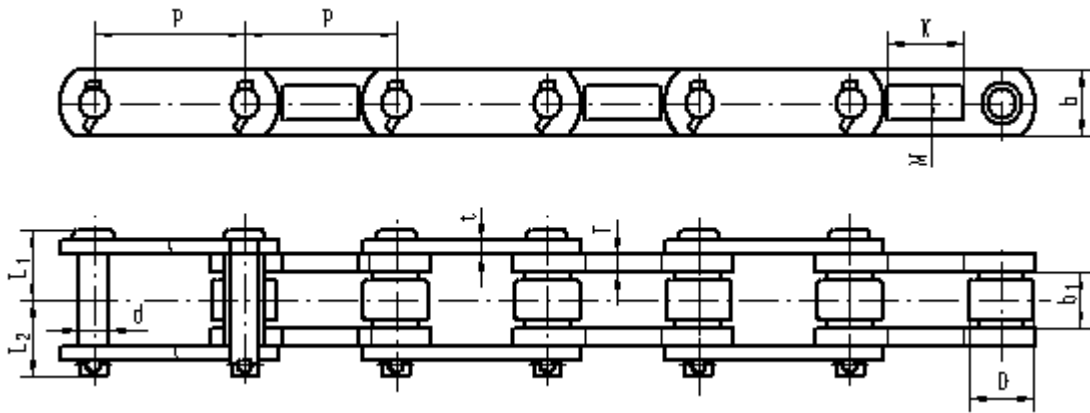


H mm	H 1 mm	T 1 mm	L mm
231.8	31.75	16	406.4

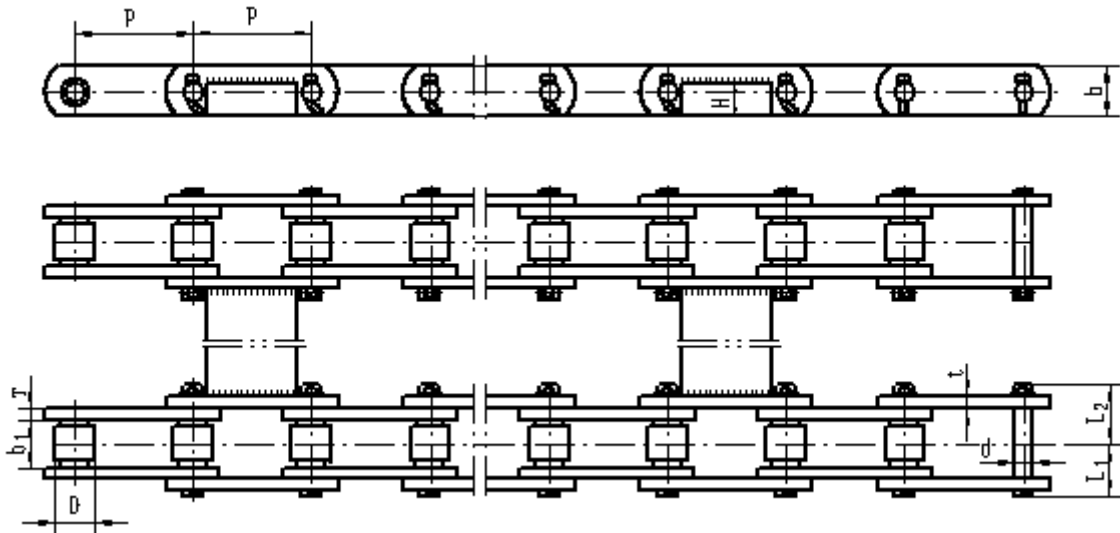
Chain No.	Pitch P mm	b 1(min) mm	D(max) mm				h mm	t/T mm	Q(min) kN	Rated working load kN	q kg/m
				d mm	L 1 mm	L2 mm					
RMC15582	101.6	50.4	38.1	19.05	57.4	63.6	44.5	12.7	355.6	3.9	51.75

$Q_{min}$  KN = Ultimate tensile strength

## Paver Chains



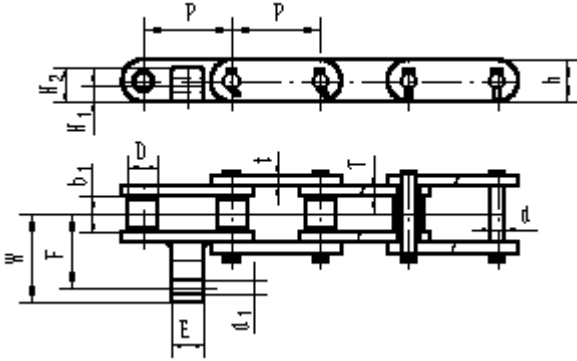
Chain No.	P mm	b 1(min) mm	D(max) mm								Q(min) kN	Rated working load kN	q kg/m
				d mm	L 1 mm	L2 mm	h mm	t/T mm	M mm	K mm			
RMC15758	66.27	23.7	28.6	12.7	31.3	35.5	28.6	6.4/8	15	32.8	142.2	10.7	6.43
C1598	69.85	15.8	31.75	14.27	28.4	33.3	32.5	8	14.2	33.3	130	9.8	6.84



Chain No.	P mm	b 1(min) mm	D(max) mm						Q(min) kN	Rated working load kN
				d mm	L 1 mm	L2 mm	h mm	t/T mm		
RMC15718	66.27	26.8	22.23	11.1	28.8	33.6	28.6	6.4	284.6	17.1

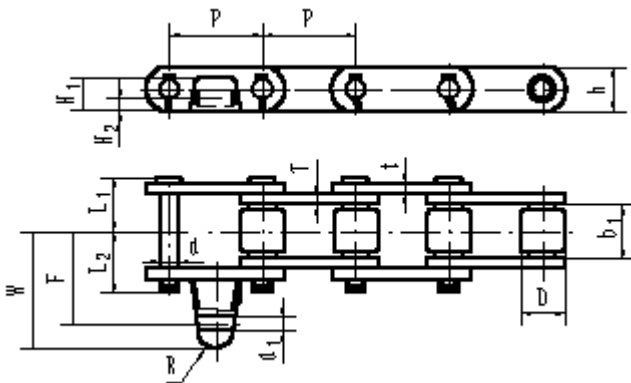
$Q_{min}$  KN = Ultimate tensile strength

## Paver Chains



F mm	W mm	d <sub>1</sub> mm	E mm	H <sub>1</sub> mm	H <sub>2</sub> mm
54.88	66	10.31	25.4	12.7	25.4

Chain No.	Pitch P mm	Width between sidebars b <sub>1</sub> (min) mm	Roller diameter D(max) mm	Pin			Sidebar		Ultimate tensile strength Q(min) kN	Rated working load kN
				d mm	L <sub>1</sub> mm	L <sub>2</sub> mm	h mm	t/T mm		
RMC16027	66.27	26.99	22.23	11.1	31.4	35.9	31.4	7.5	186.7	16.8



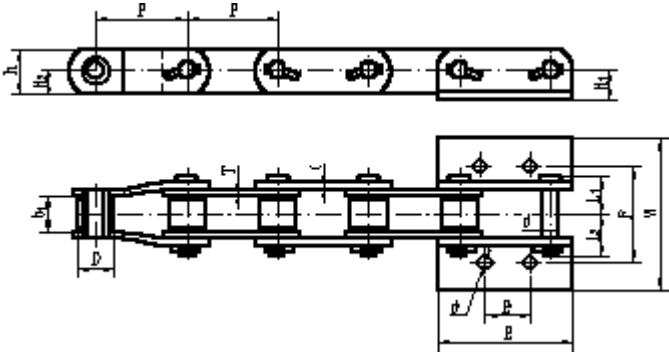
F mm	W mm	d <sub>1</sub> mm	R mm	H <sub>1</sub> mm	H <sub>2</sub> mm
62.1	80.2	11	13.5	24	9.5

Chain No.	Pitch P mm	Width between sidebars b <sub>1</sub> (min) mm	Roller diameter D(max) mm	Pin			Sidebar		Ultimate tensile strength Q(min) kN	Rated working load kN
				d mm	L <sub>1</sub> mm	L <sub>2</sub> mm	h mm	t/T mm		
C1594	69.85	24.8	31.75	14.27	33	38.2	32.5	8	130	10.4

Q<sub>min</sub> KN = Ultimate tensile strength

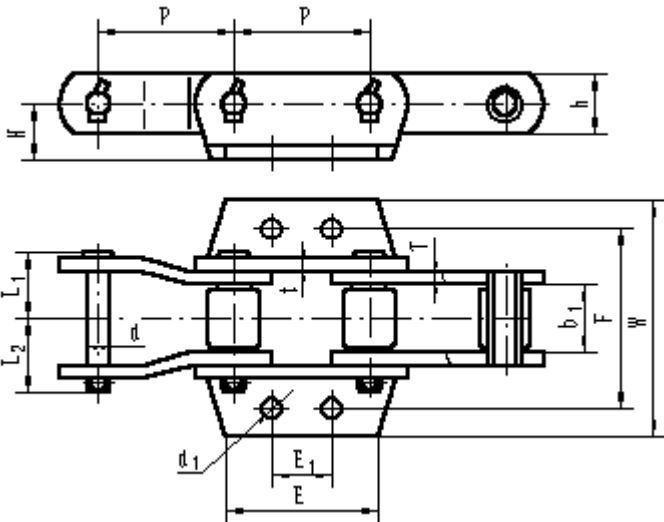


## Paver Chains



Chain No.	F mm	W mm	d 1 mm	E 1 mm	E mm	H 1 mm	H 2 mm
RMC16089	108	171.5	14.3	57.15	152.4	33.34	26.99
23310-61	108	146	14.3	57.15	163.5	33.34	23.8
23312-73	136.5	175.4	17.5	73	166.5	38.1	28.6
P78.1-BK2	104.8	145.24	14.27	38.1	115.9	28.6	22.25
FCM-11337	104.8	136.5	13.5	38.1	115.9	28.6	20.65

Chain No.	P mm	b <sub>1</sub> (min) mm	D(max) mm						Q(min) kN	Rated working load kN
				d mm	L <sub>1</sub> mm	L <sub>2</sub> mm	h mm	t/T mm		
RMC16089	103.2	37.9	41.43	19.05	42.2	47.8	50.8	8	205	18.5
23310-61	103.2	38.6	41.28	19.05	42.5	47.8	47.6	8	240	21.6
23312-73	103.2	40.98	44.45	22.23	47.5	54.2	57.2	9.5	382.3	38
P78.1-BK2	78.1	38.1	34.93	15.88	41.9	47	44.5	8	275.6	26.2
FCM11337	78.1	37.9	31.75	15.76	41.9	46.2	41.3	8	213.6	23.3

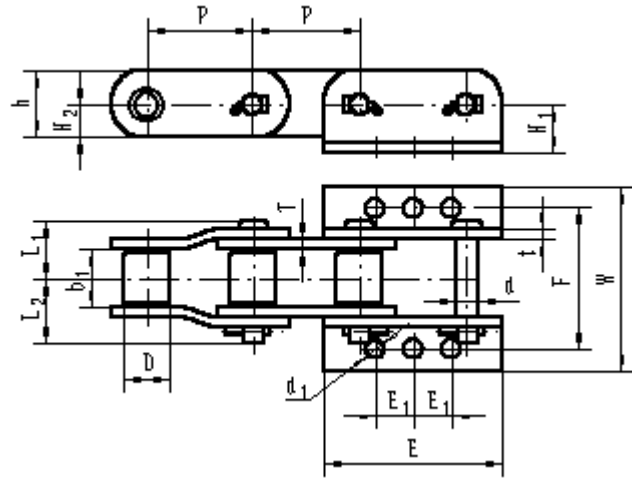


F mm	W mm	d 1 mm	E 1 mm	E mm	H mm
134.9	176.3	14.2	44.45	114.3	41.4

Chain No.	Pitch P mm	b <sub>1</sub> (min) mm	D(max) mm						Q(min) kN	Rated working load kN
				d mm	L <sub>1</sub> mm	L <sub>2</sub> mm	h mm	t/T mm		
RMC15491	101.6	50.4	38.1	19.05	50.9	57.1	44.5	9.5	290	27.6

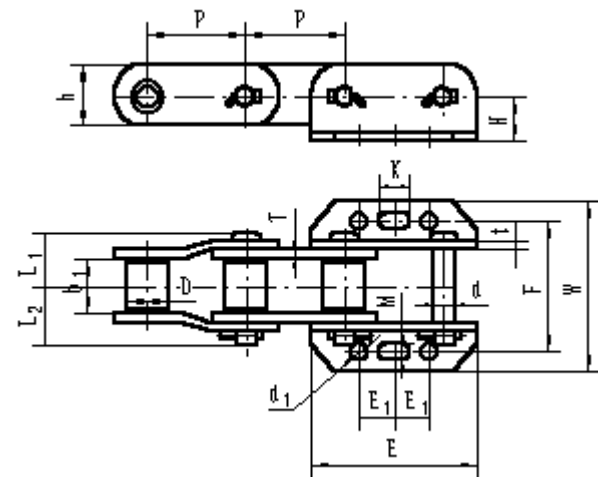
Q<sub>min</sub> KN = Ultimate tensile strength

## Paver Chains



Chain No.	F mm	W mm	d 1 mm	E 1 mm	E mm	H 1 mm	H 2 mm
RMC16090	136.5	178.1	17.5	36.5	171.5	46.04	30.16
B9503-BK3	111.25	142.35	12	19	66	25.4	19.05
FCM-11336	134.9	180.3	17.5	36.5	170.6	47.6	31.75

Chain No.	Pitch P mm	Width b <sub>1</sub> (min) mm	Roller D(max) mm						Q(min) kN	Rated working load kN
				d mm	L <sub>1</sub> mm	L <sub>2</sub> mm	h mm	t/T mm		
RMC16090	103.2	55.6	44.45	22.23	54.6	62.1	63.5	9.5	400	44
B9503-BK3	76.71	31	29	14.12	33.7	40.9	38.1	6.4	155	16.3
FCM-11336	102.6	55.3	44.5	22.23	54.5	61.6	63.5	9.5	443.4	44.3

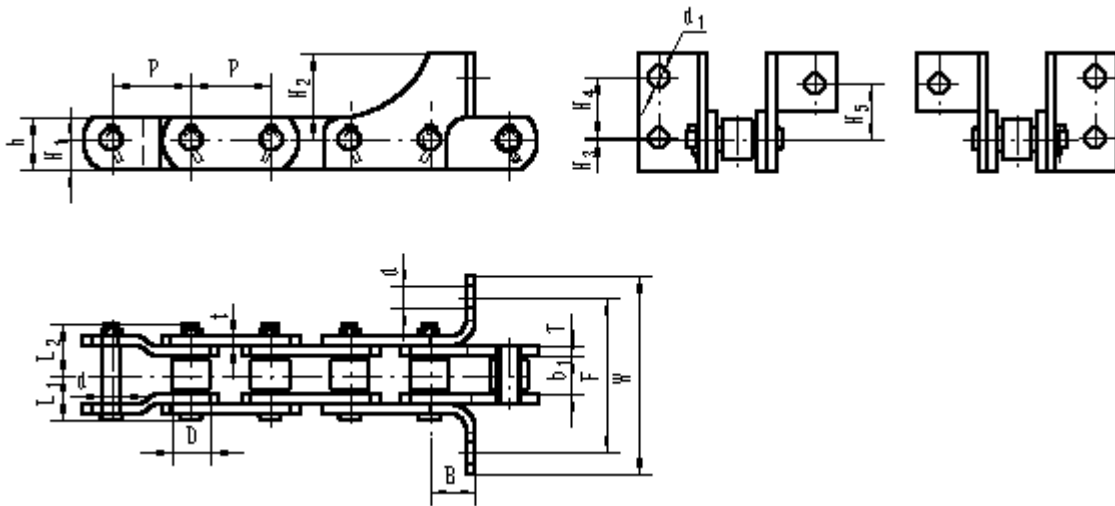


F mm	W mm	d 1 mm	M mm	K mm	E 1 mm	E mm	H mm
136.65	190.5	17.5	17.5	33.3	36.6	171.5	46

Chain No.	Pitch P mm	b <sub>1</sub> (min) mm	D(max) mm						Q(min) kN	Rated working load kN
				d mm	L <sub>1</sub> mm	L <sub>2</sub> mm	h mm	t/T mm		
302-15	103.2	55.6	44.45	22.23	54.6	62.1	66.5	9.5	533.4	56

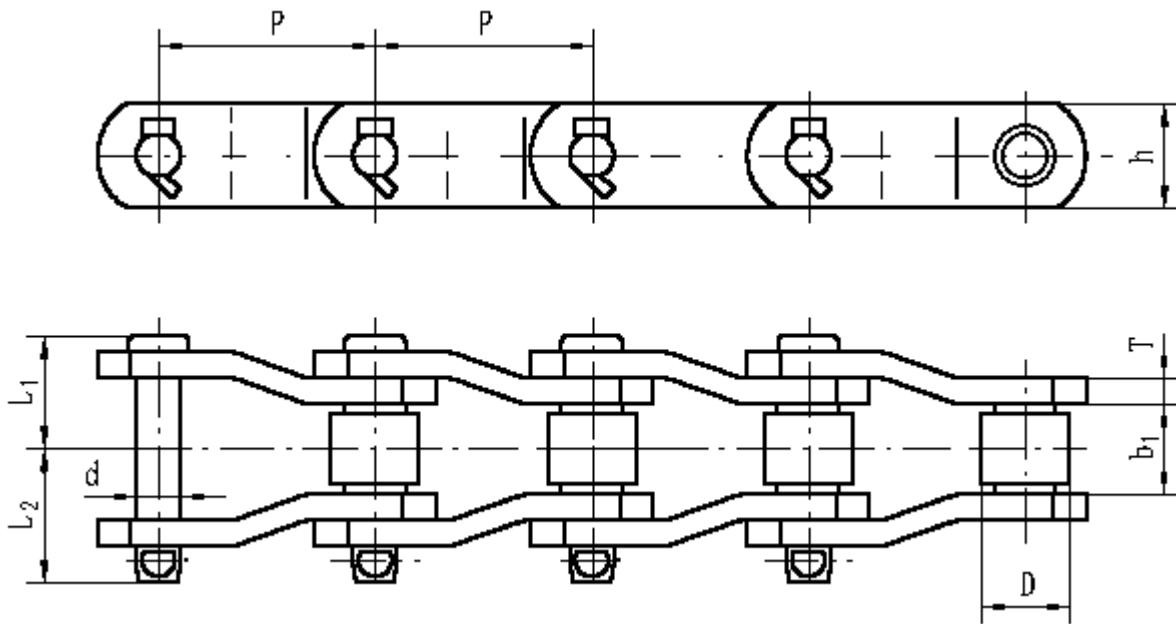
Q<sub>min</sub> KN = Ultimate tensile strength

## Paver Chains



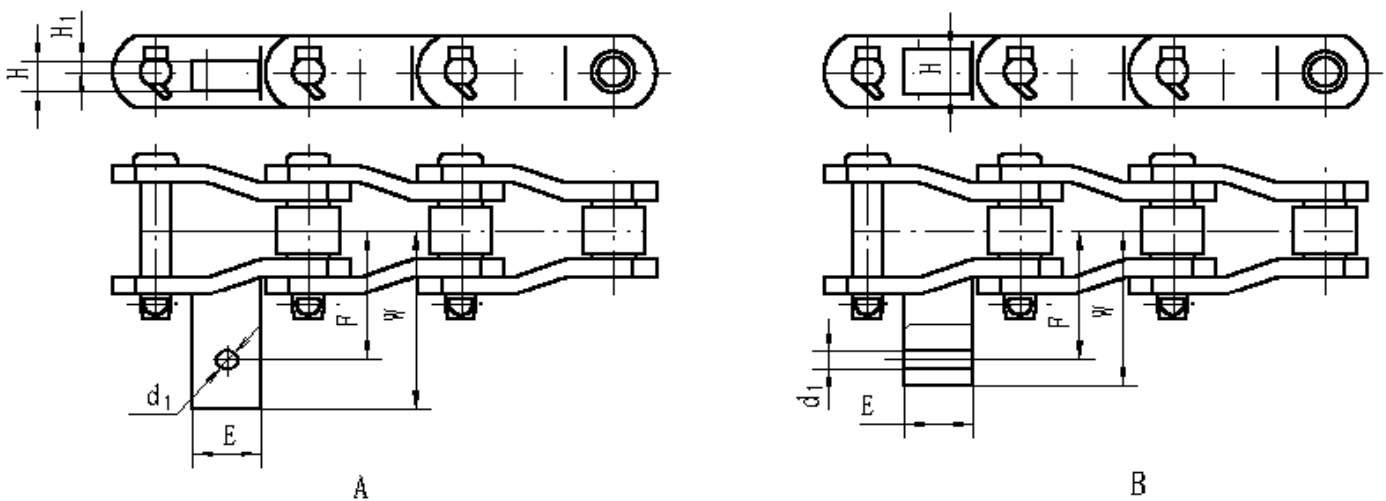
**HENGJIU**

## Paver Chains



Chain No.	Pitch P mm	b <sub>1</sub> (min) mm	D(max) mm						Q(min) kN	Rated working load kN
				d mm	L <sub>1</sub> mm	L <sub>2</sub> mm	h mm	T mm		
SS40	78.1	31.4	31.75	15.88	41.7	47.5	38.1	9.5	265	25.2
B5046	78.1	37.9	31.75	15.88	41.9	46.2	38.1	8	213.6	20.3

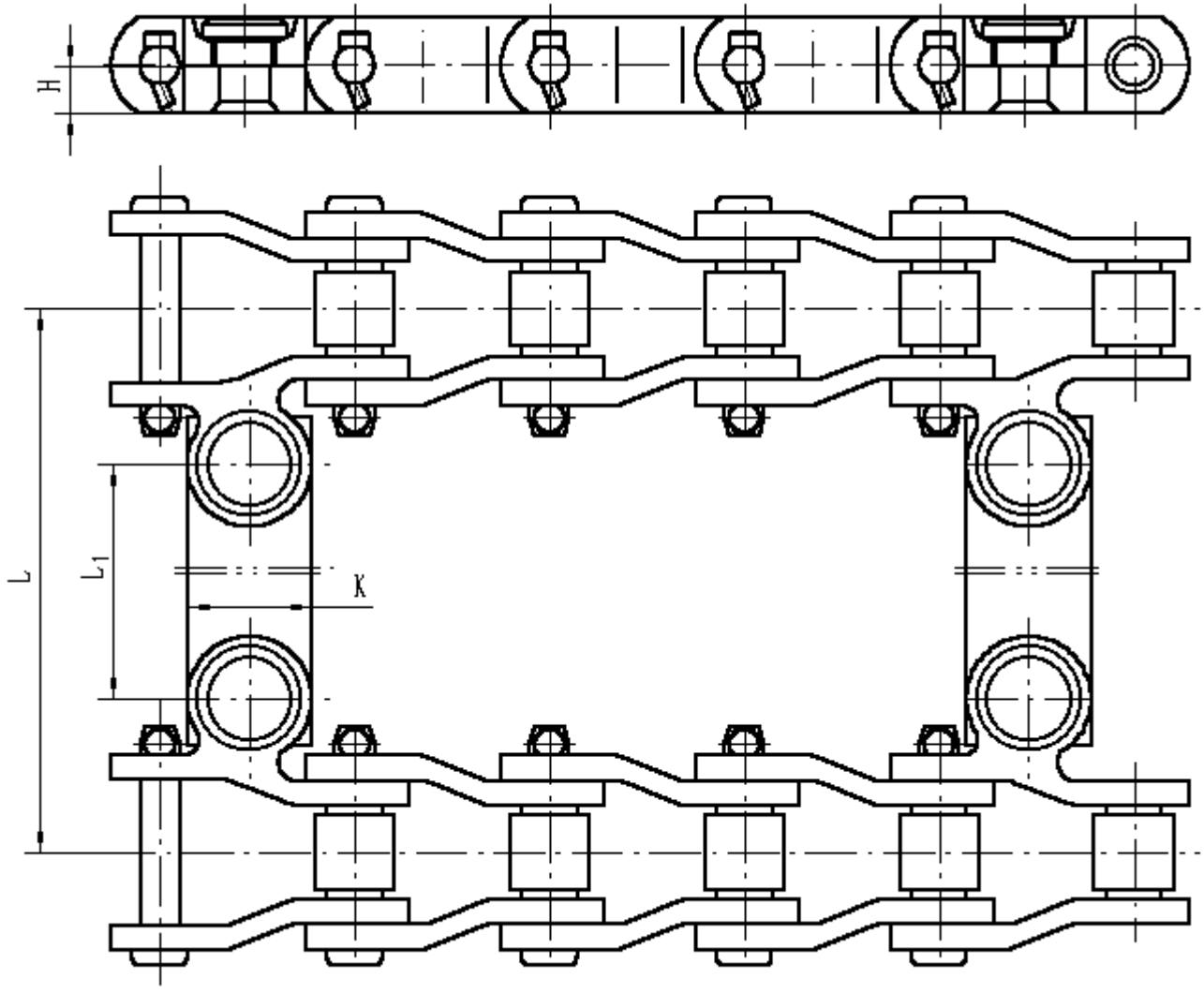
Type A<sub>1</sub>



Chain No.	F mm	W mm	d 1 mm	E mm	H 1 mm	H mm	Type
SS40-A1	70	96.8	10.3	38.1	6	16	A
B5046	62.1	75	13.6	43	/	25.4	B

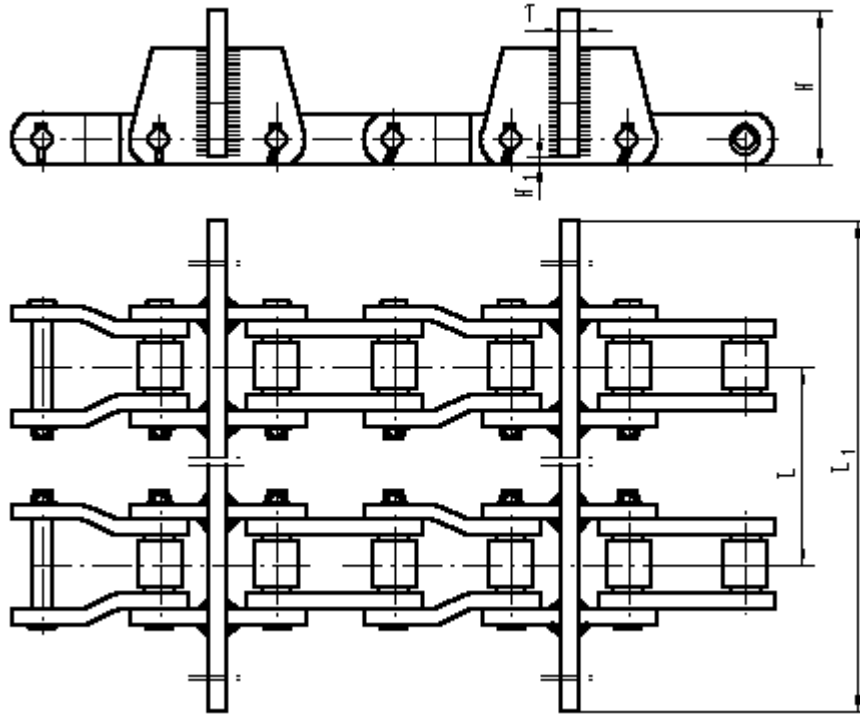
Q<sub>min</sub> KN = Ultimate tensile strength

## Paver Chain Attachment

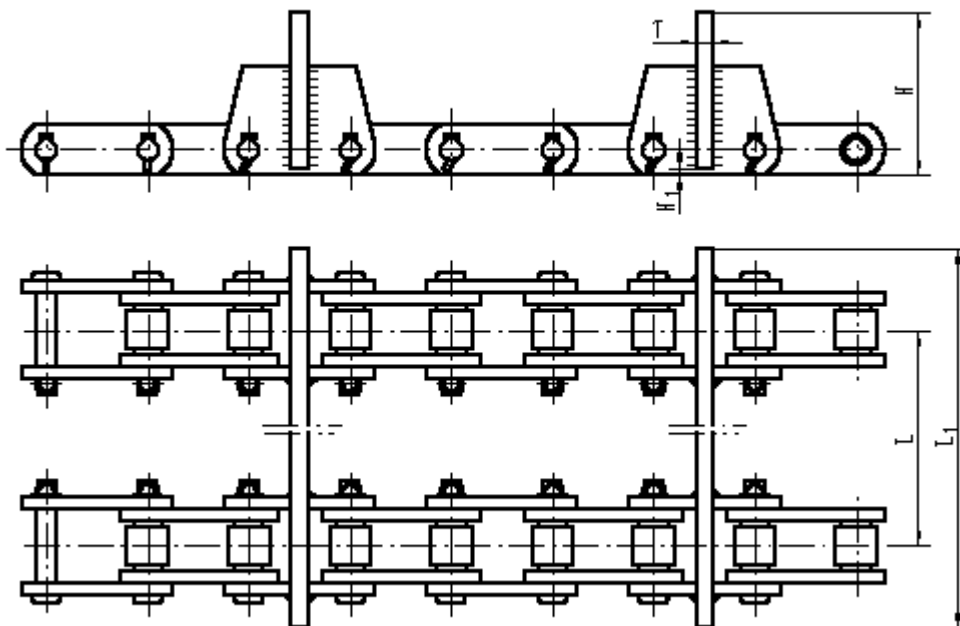


**HENGJIU**

## Paver Chains



Chain No.	T mm	H mm	H 1 mm	L mm	L 1 mm
ZRMC15491-1-56	16	231.8	54	876.3	1422.4
ZRMC15491-1-58	16	231.8	54	876.3	1473.2
ZRMC15491-1·N 1	16	133.3	6.25	876.3	1428.8



Chain No.	T mm	H mm	H 1 mm	L mm	L 1 mm
ZRMC15517	12	125.5	4.6	622.3	749.3
ZRMC15759	12	127	6.35	622.3	762